

**1969**

**TRIUMPH**

**REPLACEMENT  
PARTS**

**CATALOGUE No. 7**

**UNIT CONSTRUCTION 40 cu. ins. TWINS**

TR6R TIGER 650

TR6C TROPHY 650

T120R BONNEVILLE 120

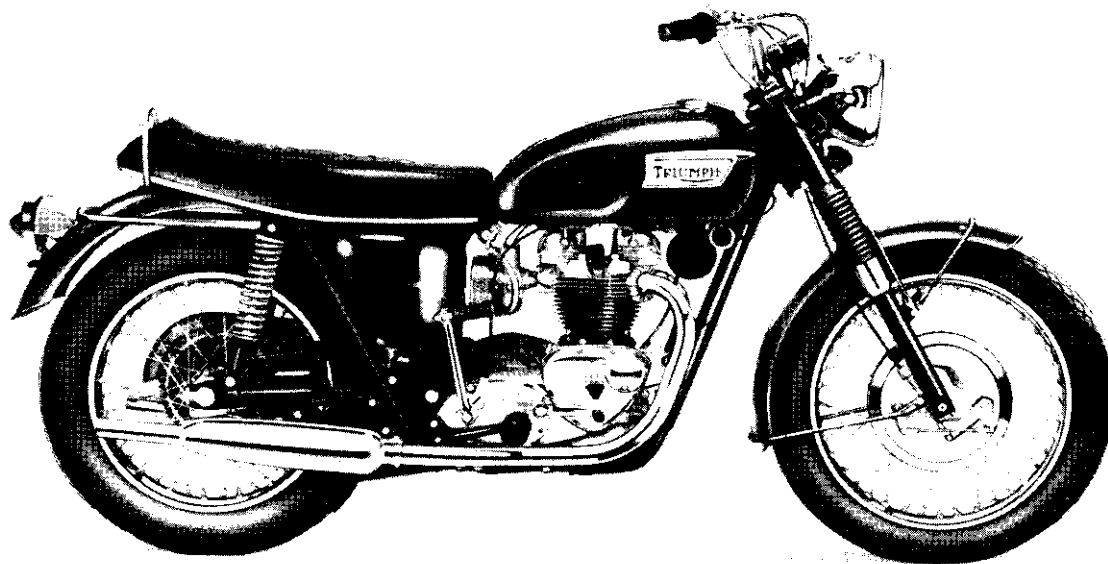
From engine No. DU 85904

**USA Edition**

**TRIUMPH ENGINEERING COMPANY LIMITED  
MERIDEN WORKS · ALLESLEY · COVENTRY · ENGLAND  
TELEPHONE MERIDEN 331                      TELEGRAMS "TRUSTY COVENTRY"**

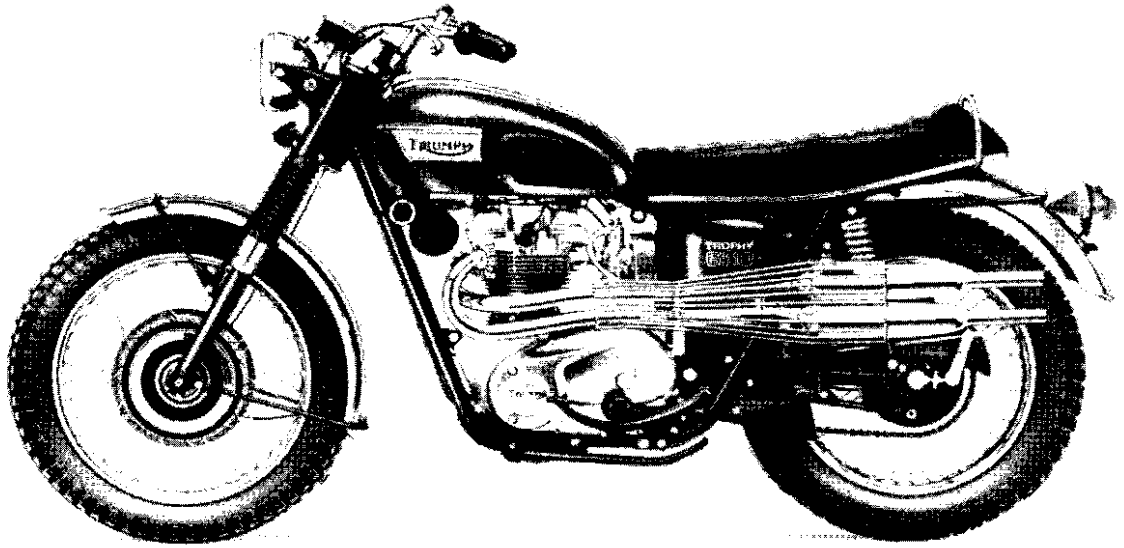
# INDEX

	Page		Page
AIR FILTER ... ..	57	HANDLEBARS ... ..	63
ALTERNATOR ... ..	13, 33	HANDLEBAR MOUNTINGS ... ..	47
AUTO-ADVANCE UNIT ... ..	23	HEADLAMP ... ..	75, 79
		HEAT SINK ... ..	77
BATTERY CARRIER ... ..	57	HORN ... ..	77
BRAKE SWITCHES ... ..	65		
		KICKSTARTER ... ..	29
CAMSHAFT, INLET AND EXHAUST	13	MANIFOLD ... ..	17
CAPACITOR, IGNITION ... ..	75	MUFFLERS ... ..	41, 43
CARBURETTER ... ..	69, 71		
CARTON PACKS ... ..	9	OIL PUMP ... ..	17
CENTRE STAND ... ..	35	OIL TANK ... ..	55
CHAINS ... ..	33		
CHAINCASE ... ..	33	PISTONS ... ..	13
CLUTCH ... ..	31	PROP STAND ... ..	35
CLUTCH LEVER ASSEMBLY ... ..	29	PUSH RODS ... ..	19, 21
COIL ... ..	77		
CONDENSER PACK ... ..	77	REAR WHEEL ... ..	51
CONNECTING RODS ... ..	13	RECTIFIER ... ..	77
CONTACT BREAKER ... ..	23	REFLECTORS ... ..	53
CONTROL CABLES ... ..	65	ROCKERS ... ..	21
CONTROL LEVERS ... ..	63		
CRANKCASE ... ..	15	SIDE PANEL ... ..	59
CRANKCASE UNDERSHIELD ... ..	39	SPARKING PLUG ... ..	77
CRANKSHAFT ... ..	13	SPEEDOMETER ... ..	73
CYLINDERS ... ..	19, 21	SPEEDOMETER GEARBOX ... ..	73
CYLINDER HEAD ... ..	19, 21	STEERING DAMPER ... ..	47
		STEERING RACES ... ..	35
ENGINE PLATES ... ..	39	SUSPENSION UNITS ... ..	37
ENGINE TORQUE STAY ... ..	39	SWINGING FORK ... ..	37
EXHAUST PIPES ... ..	41, 43	SWITCHES ... ..	79
EXHAUST PIPE ADAPTOR ... ..	19, 21		
		TACHOMETER ... ..	73
FENDERS ... ..	61	TACHOMETER GEARBOX ... ..	73
FOOTRESTS ... ..	39, 67	TAIL LAMP ... ..	79
FRAME ... ..	35	TAPPETS ... ..	17
FRONT BRAKE ... ..	49	TIMING GEARS ... ..	13
FRONT FORKS ... ..	45	TOOLKIT ... ..	67
FRONT WHEEL ... ..	49	TWIN SEAT ... ..	59
FUSE ASSEMBLY ... ..	57		
		VALVES ... ..	19, 21
GAS TANK ... ..	53	VALVE GUIDES ... ..	19, 21
GASKET SET ... ..	9		
GEARBOX ... ..	25, 27, 29	WIRING HARNESS ... ..	79
		ZENER DIODE ... ..	77



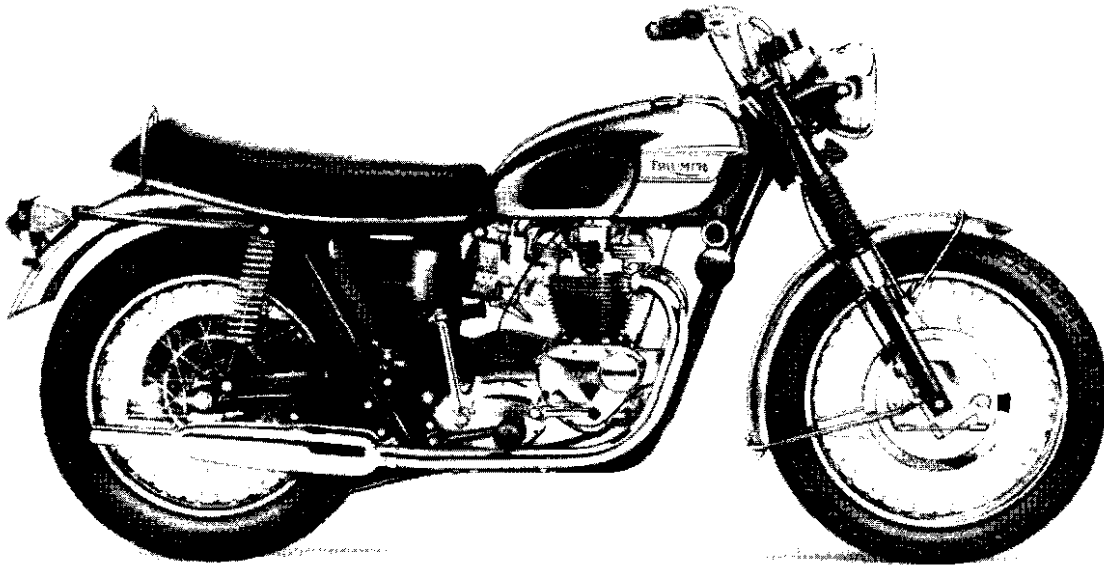
### TIGER 650 (TR6R) TECHNICAL DATA

<b>Bore and stroke...</b>	...	...	...	...	...	...	...	...	...	71 x 82 mm. 2.79 x 3.23 ins.
<b>Capacity ...</b>	...	...	...	...	...	...	...	...	...	649 c.c. (40 cu. ins.)
<b>Compression ratio</b>	...	...	...	...	...	...	...	...	...	9 : 1
<b>Spark plugs</b>	...	...	...	...	...	...	...	...	...	Champion N3
<b>Carburetter</b>	...	...	...	...	...	...	...	...	...	Amal Concentric 930
				Main jet	...	...	...	...	...	230
				Needle jet	...	...	...	...	...	.106
				Throttle valve	...	...	...	...	...	No. 3½
<b>Gearbox sprocket</b>	...	...	...	...	...	...	...	...	...	19 teeth
<b>Chains</b>	...	...	...	Front	...	...	...	...	...	¾" Duplex x 84 links
				Rear	...	...	...	...	...	⅝" x ⅜" x 104 links
<b>Capacities</b>	...	...	...	Gas Tank	...	...	...	...	...	3½ U.S. galls. (16 litres)
				Oil Tank	...	...	...	...	...	6 U.S. pints (2.8 litres)
				Gearbox	...	...	...	...	...	⅞ pint (500 c.c.)
				Primary Chaincase	...	...	...	...	...	⅝ pint (350 c.c.)
				Front Forks (each leg)	...	...	...	...	...	⅓ pint (200 c.c.)
<b>Brakes</b>	...	...	...	Front, diameter...	...	...	...	...	...	8" (20.32 cm.)
				Rear, diameter	...	...	...	...	...	7" (17.78 cm.)
<b>Tire size</b>	...	...	...	Front	...	...	...	...	...	3.25 x 19
				Rear	...	...	...	...	...	4.00 x 18



### TROPHY 650 (TR6C) TECHNICAL DATA

<b>Bore and stroke...</b>	...	...	...	...	...	...	...	...	...	71 x 82 mm. 2.79 x 3.23 ins.
<b>Capacity ...</b>	...	...	...	...	...	...	...	...	...	649 c.c. (40 cu. ins.)
<b>Compression ratio</b>	...	...	...	...	...	...	...	...	...	9 : 1
<b>Spark plugs</b>	...	...	...	...	...	...	...	...	...	Champion N3
<b>Carburetter</b>	...	...	...	...	...	...	...	...	...	Amal Concentric 930
										Main jet ... 230
										Needle jet ... .106
										Throttle valve ... No. 3½
<b>Gearbox sprocket</b>	...	...	...	...	...	...	...	...	...	18 teeth
<b>Chains</b>	...	...	...	...	...	...	...	...	...	Front ... ¾" Duplex x 84 links
										Rear ... 5/8" x 3/8" x 104 links
<b>Capacities</b>	...	...	...	...	...	...	...	...	...	Gas Tank ... 2½ U.S. galls. (11 litres)
										Oil Tank ... 6 U.S. pints (1.8 litres)
										Gearbox ... 7/8 pint (500 c.c.)
										Primary Chaincase ... 5/8 pint (350 c.c.)
										Front Forks (each leg) ... 1/3 pint (200 c.c.)
<b>Brakes</b>	...	...	...	...	...	...	...	...	...	Front, diameter... 8" (20.32 cm.)
										Rear, diameter ... 7" (17.78 cm.)
<b>Tire size</b>	...	...	...	...	...	...	...	...	...	Front ... 3.50 x 19
										Rear ... 4.00 x 18



### BONNEVILLE (T120R) TECHNICAL DATA

<b>Bore and stroke...</b>	...	...	...	...	...	...	...	...	...	71 x 82 mm. 2.79 x 3.23 ins.
<b>Capacity ...</b>	...	...	...	...	...	...	...	...	...	649 c.c. (40 cu. ins.)
<b>Compression ratio</b>	...	...	...	...	...	...	...	...	...	9 : 1
<b>Spark plugs</b>	...	...	...	...	...	...	...	...	...	Champion N3
<b>Carburettors</b>	...	...	...	...	...	...	...	...	...	2 Amal Concentric 930
										Main jet ... 190
										Needle jet ... 106
										Throttle valve ... No. 3
<b>Gearbox sprocket</b>	...	...	...	...	...	...	...	...	...	19 teeth
<b>Chains</b>	...	...	...	...	...	...	...	...	...	Front ... $\frac{3}{8}$ " Duplex x 84 links
										Rear ... $\frac{5}{8}$ " x $\frac{3}{8}$ " x 104 links
<b>Capacities</b>	...	...	...	...	...	...	...	...	...	Gas Tank ... 2 $\frac{3}{4}$ U.S. galls. (11 litres)
										Oil Tank ... 5 U.S. pints (2.8 litres)
										Gearbox ... $\frac{7}{8}$ pint (500 c.c.)
										Primary Chaincase ... $\frac{5}{8}$ pint (350 c.c.)
										Front Forks (each leg) ... $\frac{1}{3}$ pint (200 c.c.)
<b>Brakes</b>	...	...	...	...	...	...	...	...	...	Front, diameter... 8" (20.32 cm.)
										Rear, diameter ... 7" (17.78 cm.)
<b>Tire Size</b>	...	...	...	...	...	...	...	...	...	Front ... 3.25 x 19
										Rear ... 4.00 x 18

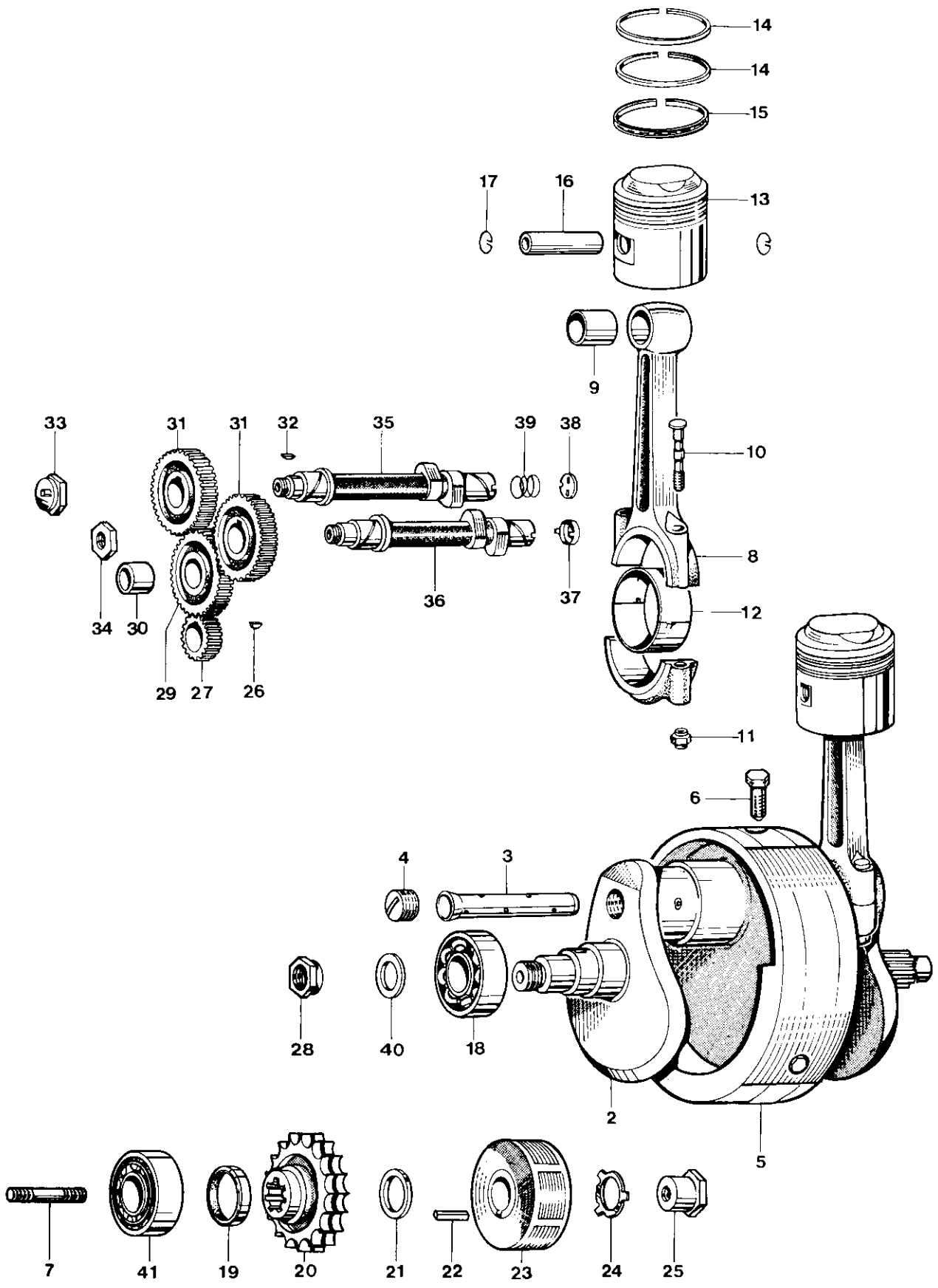


Fig. 1. CRANKSHAFT AND CONNECTING RODS

### CRANKSHAFT AND CONNECTING RODS

1	**E9686	CRANKSHAFT AND FLYWHEEL ASSEMBLY	1	
2	E4643	CRANKSHAFT C/W. OIL TUBE	1	
3	E3903	Oil tube	1	
4	E3905	Screwed plug	1	
5	**E9687	Flywheel	1	
6	*E9307	Flywheel bolt	3	
7	E3114	Crankshaft stud (1 $\frac{3}{8}$ in. O.A.)	1	
8	E9525	CONNECTING ROD	2	
9	E1511	Small end bush	2	
10	E6576	Connecting rod bolt	4	
11	S549	Self locking nut	4	
12	E3586	Big end bearing (Available in —.010 in. and —.020 in. oversizes)	4	
13	E6868	PISTON COMPLETE 9 : 1 C.R.	2	
13	E6867	PISTON COMPLETE 11 : 1 C.R.	2	
14	E6864	Taper compression ring	4	
15	E6865	Oil control ring	2	
16	E6863	Gudgeon pin (long)	2	
17	E6869	Circlip	4	
18	E1591	Main bearing, right	1	
19	E3876	Oil seal	1	
20	E5446	Engine sprocket, 29 teeth Duplex	1	
21	E4573	Distance piece	1	
22	E3974	Rotor key	1	
23	99-0739	Rotor (54213901)	1	
24	E3975	Tab washer	1	
25	E3977	Nut	1	
26	E1580	Key	1	
27	E4564	Timing pinion	1	
28	E4565	Nut	1	
29	E6159	INTERMEDIATE WHEEL	1	
30	E400	Intermediate wheel bush	1	
31	E4562	Camshaft wheel	2	
32	E1558	Camshaft key	2	
33	E1463	Inlet camshaft nut	1	
34	E4563	Exhaust camshaft nut	1	
35	E10040	Inlet camshaft, Racing type	1	
36	E10041	EXHAUST CAMSHAFT, RACING TYPE	1	
37	†E4700	Tachometer drive thimble	1	
38	E5316	Rotary breather valve	1	
39	E2256	Breather valve spring	1	
40	E3300	Clamping washer	1	
41	E2879	Main bearing, left	1	

\* Use D524 Loctite Sealant

\*\* For the commencement of the season, the previous 'light' type of crankshaft assembly (Part No. E7331) is fitted. The flywheel only from this assembly bears Part No. E7332

† Use E7050 to replace without dismantling motor

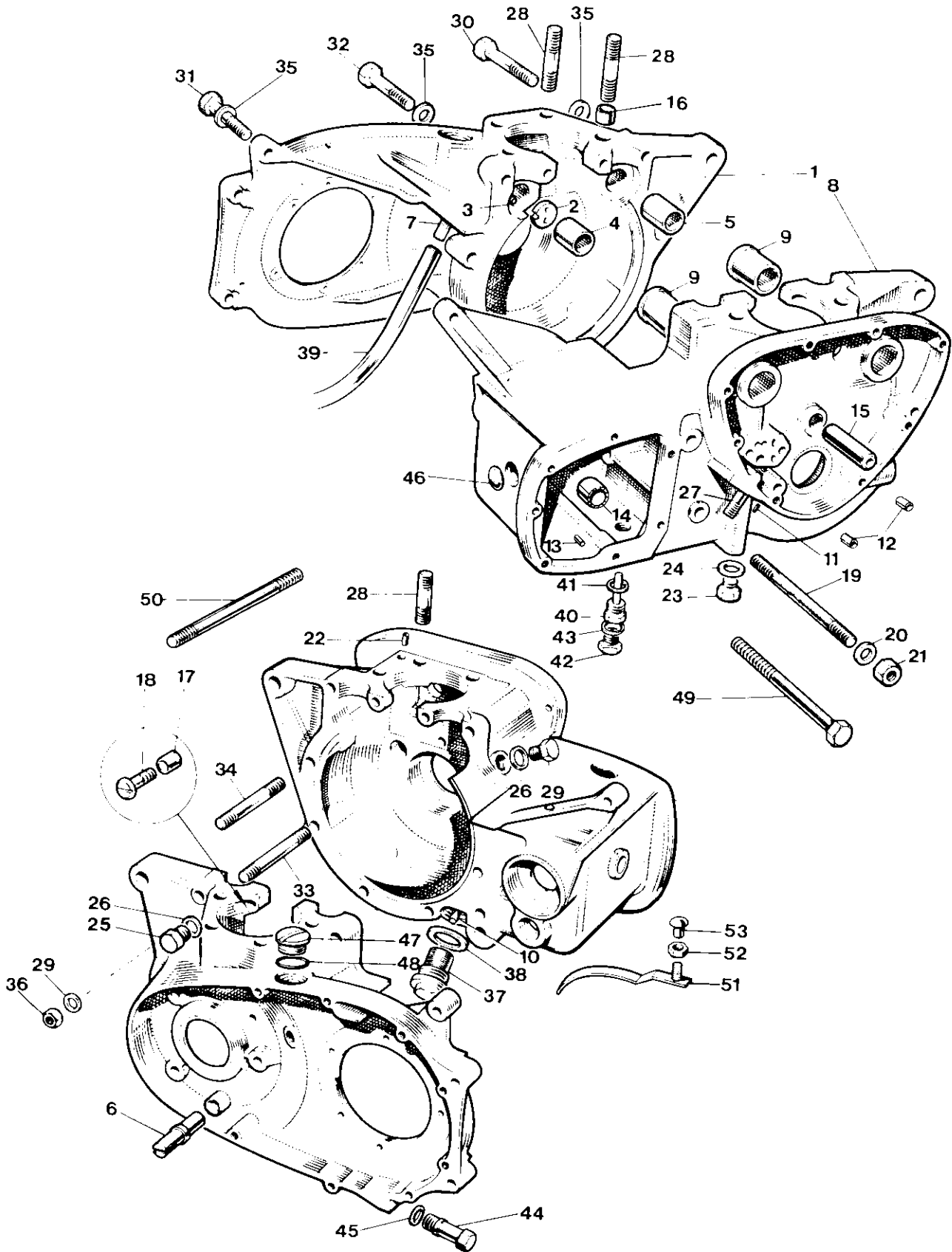


Fig. 2. CRANKCASE



Ref. No.	Part No.	DESCRIPTION	QUANTITY	REMARKS
<b>CRANKCASE</b>				
1	E9748	CRANKCASE DRIVE SIDE ... ..	1	
2	GS87	Breather disc ... ..	1	
3	E2311	Locating pin—at disc ... ..	1	
4	E2260	Inlet camshaft bush ... ..	1	
5	E1516	Exhaust camshaft bush ... ..	1	
6	E5976	Chain tensioner abutment ... ..	1	
7	E2724	Breather pipe (metal) ... ..	1	
8	E9749	CRANKCASE TIMING SIDE ... ..	1	
9	E1479	Camshaft bush ... ..	2	
10	E4538	Scavenge pipe ... ..		Reference only
11	E6386	Locating peg (at oil pipes) ... ..		Reference only
12	T989	Hollow dowel ... ..	2	
13	T912	Locating peg (L/S at thrust washer) ... ..	1	
14	T1606	Needle roller bearing, layshaft ... ..	1	
15	E375	Intermediate wheel spindle ... ..	1	
16	E1532	Hollow dowel ... ..	1	
17	E3716	Hollow dowel ... ..	1	
18	S1873	Screw ( $\frac{1}{8}$ in. U.H.) ... ..	2	
19	14-1445	Stud ( $4\frac{1}{2}$ in. O.A.) ... ..	1	
20	S25-2	Plain washer ... ..	2	
21	14-0303	Nut ... ..	2	
22	E8751	Hollow dowel, tappet oil feed ... ..	2	
23	E9330	Oilway plug ... ..	1	
24	F1880	Copper washer ... ..	1	
25	S1871	Tachometer drive plug (L.H. thread) ... ..	1	
26	E8896	Fibre washer ... ..	2	
27	S1863	Oil pipe stud ( $1\frac{1}{2}$ in. O.A.) ... ..	1	
28	S1865	Cylinder stud ( $1\frac{3}{4}$ in. O.A.) ... ..	8	
29	S1872	Plug, timing hole ... ..	1	
30	S1870	Bolt ( $2\frac{1}{2}$ in. U.H.) UN ... ..	1	
31	14-0620	Bolt ( $1\frac{3}{4}$ in. U.H.) UN ... ..	1	
32	S1869	Bolt ( $1\frac{3}{8}$ in. U.H.) UN ... ..	1	
33	E4856	Stud ( $5\frac{1}{16}$ in. O.A.) ... ..	1	
34	E2888	Stud ( $3\frac{7}{8}$ in. O.A.) ... ..	2	(TR6C 3 off)
35	S25-3	Plain washer ... ..	11	
36	S1-51	Nut ... ..	8	
37	E9336	Crankcase filter UN ... ..	1	
38	E5315	Copper washer ... ..	1	
39	E5375	Breather extension pipe ... ..	1	
40	T3851	Drain plug (with level tube) UN ... ..	1	
41	T1257	Fibre washer ... ..	1	
42	S543	Level plug UN ... ..	1	
43	E2441	Copper washer ... ..	1	
44	E6347	Drain and adjuster plug ... ..	1	
45	T1738	Fibre washer ... ..	1	
46	T1920	Blanking plug ... ..	1	
47	T2166	Filler plug UN ... ..	2	
48	E8782	Fibre washer ... ..	2	
49	14-6242	Bolt (4 in. U.H.) UN ... ..	1	
50	E5963	Stud ( $4\frac{3}{8}$ in. O.A.) ... ..	1	(Except TR6C)
51	E8892	Protection blade ... ..	1	
52	14-1301	Self locknut UN ... ..	1	
53	E7573	Rubber plug (for protection blade stud hole) ... ..	1	TR6R, T120R

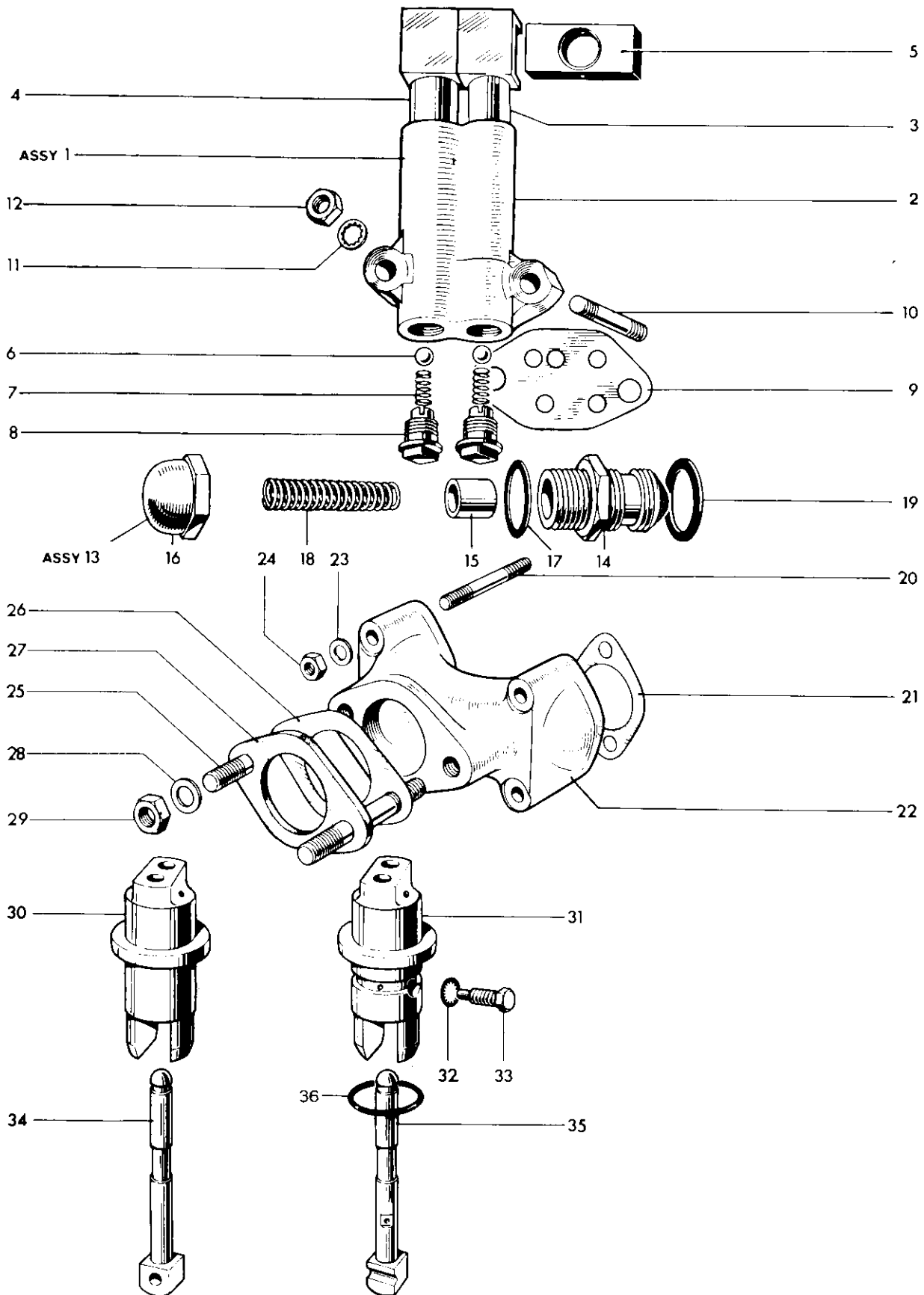


Fig. 3. OIL PUMP, RELEASE VALVE, MANIFOLD AND TAPPETS

**OIL PUMP, RELEASE VALVE, MANIFOLD AND TAPPETS**

1	E6928	OIL PUMP ... ..	1	
2	Reference only	Pump body... ..	1	
3	GS153	Feed plunger ... ..	1	
4	E6681	Scavenge plunger ... ..	1	
5	E495	Drive block ... ..	1	
6	S70-7	Valve ball ( $\frac{7}{32}$ in. dia.) ... ..	2	
7	E403	Valve spring ... ..	2	
8	E2360	Screwed plug ... ..	2	
9	E3730	Joint washer ... ..	1	
10	S1864	Oil pump stud ( $1\frac{5}{16}$ in. U.H.) ... ..	2	
11	E3887	Serrated washer ... ..	2	
12	S1906	Nut ... ..	2	
13	E6595	OIL RELEASE VALVE ... ..	1	
14	E7590	Valve body ... ..	1	
15	GS251	Piston ... ..	1	
16	E6596	Cap ... ..	1	
17	GS254	Fibre washer ... ..	1	
18	E7591	Main spring ... ..	1	
19	E1670	Fibre washer ... ..	1	
20	S1876	Stud ( $1\frac{5}{8}$ in. O.A.) ... ..	4	
21	E5660	Joint washer ... ..	2	} TR6R & TR6C
22	E5512	Inlet manifold ... ..	1	
23	S25-13	Plain washer ... ..	4	
24	S1877	Nut ... ..	4	
25	E2962	Stud ( $1\frac{7}{32}$ in. O.A.) ... ..	2	
26	NA43A	Joint washer ... ..	1	
27	E4918	Insulating block ... ..	1	
28	S25-3	Plain washer ... ..	2	
29	E1310	Nut ... ..	2	
30	E9352	Inlet tappet guide ... ..	1	
31	E9353	Exhaust tappet guide ... ..	1	
32	E1612	Serrated washer ... ..	2	
33	H200	Set bolt ... ..	2	
34	E3059R	Inlet tappet ... ..	2	
35	E8801	Exhaust tappet ... ..	2	
36	E7563	"O" ring ... ..	2	

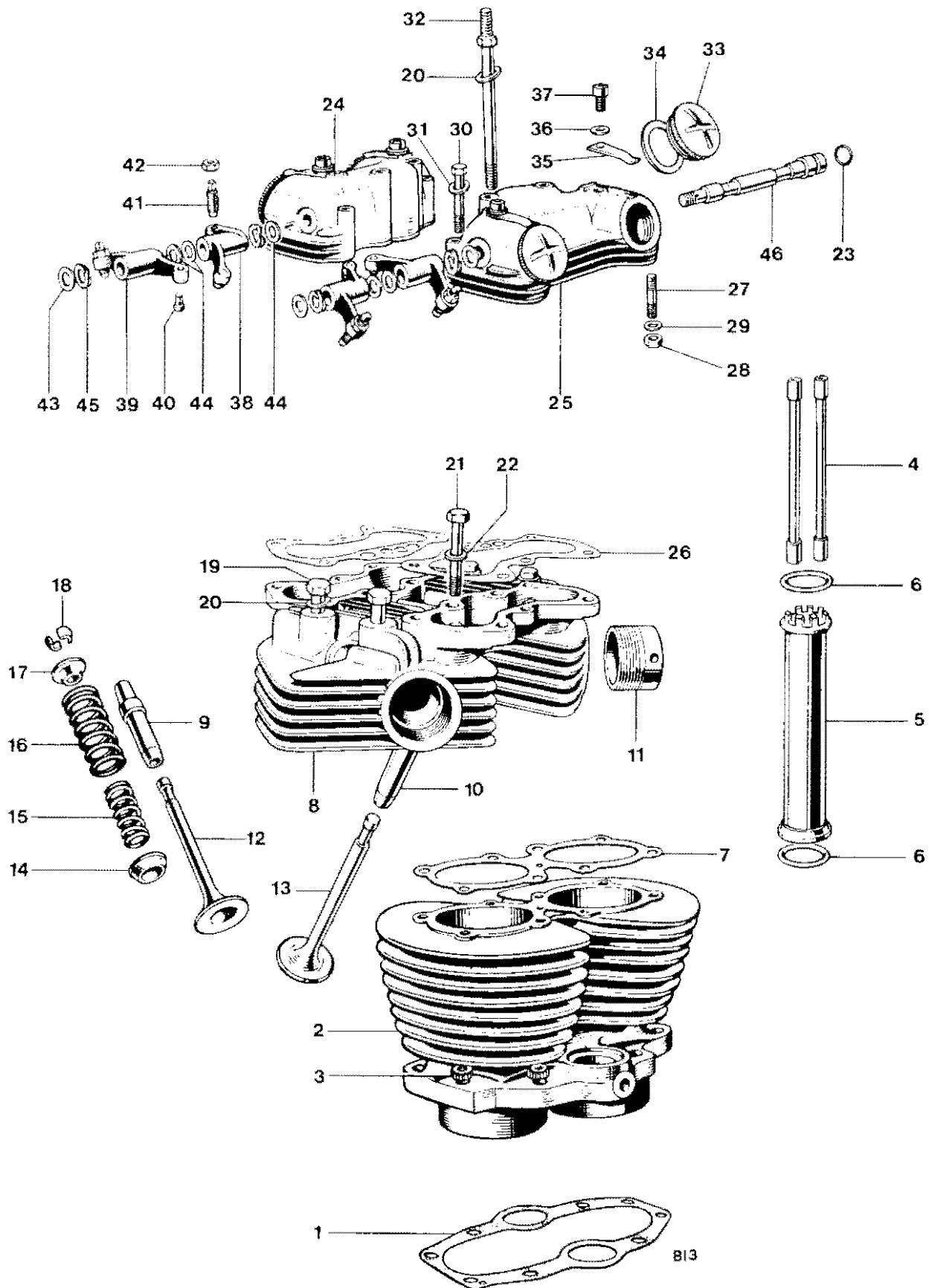


Fig. 4. CYLINDER BLOCK AND HEAD, TR6

Ref. No.	Part No.	DESCRIPTION	QUANTITY	REMARKS
----------	----------	-------------	----------	---------

**CYLINDER BLOCK AND HEAD, TR6R, TR6C**

1	E6309	Cylinder base washer ... ..	1	
2	E6304	Cylinder block ... ..	1	
3	S692	Cylinder base nut ... ..	8	
4	E2620	Push rod ... ..	4	
5	E9349	Cover tube ... ..	2	
6	E7310	Rubber washer ... ..	4	
7	E4547	Cylinder head gasket ... ..	1	
8	E9362	CYLINDER HEAD c/w GUIDES ... ..	1	
9	E2899	Inlet valve guide ... ..	2	
10	E2900	Exhaust valve guide ... ..	2	
11	E9516	Exhaust pipe adaptor ... ..	2	
12	E4603	Inlet valve ... ..	2	
13	E2904	Exhaust valve ... ..	2	
14	E6439	Bottom cup ... ..	4	
15	E4221	Inner valve spring (red spot) ... ..	4	
16	E7400	Outer valve spring (green spot) ... ..	4	
17	E1543	Top collar ... ..	4	
18	WE259A	Split cotter ... ..	8	
19	E327	Cylinder head bolt (3 $\frac{3}{8}$ in. U.H.) ... ..	4	
20	F2184	Plain washer ... ..	8	
21	E4771	Bolt (3 in. U.H.) ... ..	1	
22	S25-3	Plain washer ... ..	1	
23	E3253	Sealing ring ... ..	1	
24	E4550	Inlet rocker box ... ..	1	
25	E4551	Exhaust rocker box ... ..	1	
26	E9348	Joint washer ... ..	2	
27	E2980	Rocker box stud (1 $\frac{5}{8}$ in. O.A.) ... ..	6	
28	F879	Rocker box nut... ..	6	
29	E3302	Plain washer ... ..	6	
30	S187S	Rocker box bolt (2 $\frac{5}{8}$ in. U.H.) ... ..	4	
31	S25-13	Plain washer ... ..	4	
32	E1596	Cylinder head bolt (for torque stay) ... ..	4	
33	E4610	Inspection cap ... ..	4	
34	E3751	Joint washer ... ..	4	
35	E4609	Locking spring ... ..	4	
36	WE170	Fibre washer ... ..	4	
37	T1553	Screw ( $\frac{3}{8}$ in. U.H.) ... ..	4	
38	E1457	ROCKER (right exhaust, left inlet) ... ..	2	
39	E1458	ROCKER (left exhaust, right inlet) ... ..	2	
40	E10070	Rocker ball pin ... ..	4	
41	E1513	Rocker adjusting pin ... ..	4	
42	E470	Adjuster lock nut ... ..	4	
43	E1330	Thrust washer, $\frac{3}{8}$ in. ... ..	2	
44	E1575	Thrust washer, $\frac{1}{2}$ in. ... ..	6	
45	E1574	Spring washer ... ..	4	
46	E1512	Rocker spindle ... ..	2	

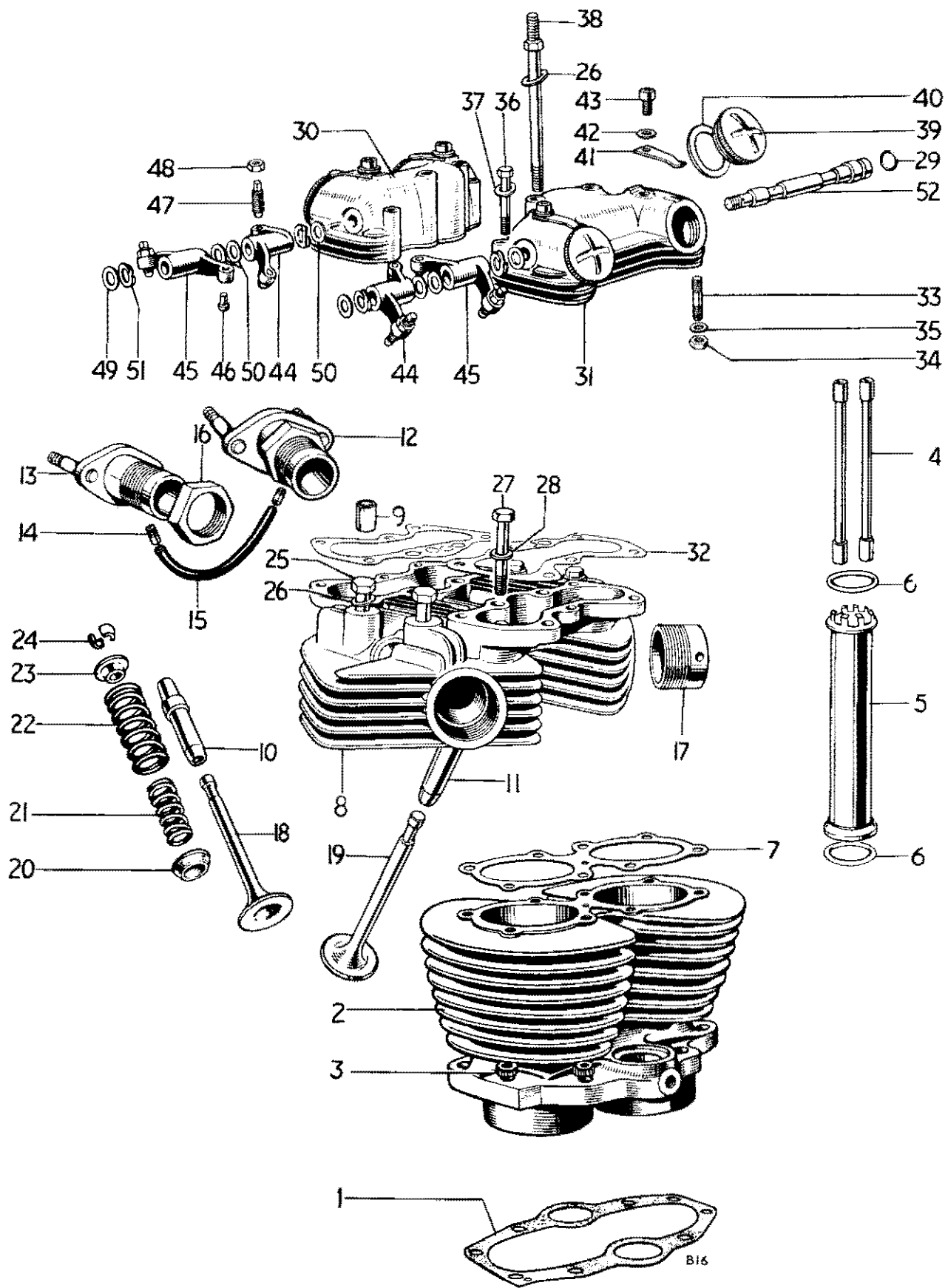


Fig. 5. CYLINDER BLOCK AND HEAD, T120R

Ref. No.	Part No.	DESCRIPTION	QUANTITY	REMARKS
<b>CYLINDER BLOCK AND HEAD, T120R</b>				
1	E6309	Cylinder base washer ... ..	1	
2	E6304	Cylinder block ... ..	1	
3	S692	Cylinder base nut ... ..	8	
4	E2620	Push rod ... ..	4	
5	E9349	Cover tube ... ..	2	
6	E7310	Rubber washer ... ..	4	
7	E4577	Cylinder head gasket ... ..	1	
8	E9418	CYLINDER HEAD c/w GUIDES ... ..	1	
9	E5347	Sleeve for head bolts passing through inlet tracts ... ..	2	Reference only
10	E3827	Inlet valve guide ... ..	2	
11	E3828	Exhaust valve guide ... ..	2	
12	E9550	Carburetter adaptor, left ... ..	1	
13	E9551	Carburetter adaptor, right ... ..	1	
14	E6916	Connector ... ..	2	
15	E4792	Balance pipe ... ..	1	
16	E4608	Adaptor locking nut ... ..	2	
17	E9516	Exhaust pipe adaptor ... ..	2	
18	E4603	Inlet valve ... ..	2	
19	E2904	Exhaust valve ... ..	2	
20	E6439	Bottom cup ... ..	4	
21	E4221	Inner valve spring (Red spot) ... ..	4	
22	E7400	Outer valve spring (green spot) ... ..	4	
23	E1543	Top collar ... ..	4	
24	WE259A	Split cotter ... ..	8	
25	E327	Cylinder head bolt (3 $\frac{3}{8}$ in. U.H.) ... ..	4	
26	F2184	Plain washer ... ..	8	
27	E4771	Bolt (3 in. U.H.) ... ..	1	
28	S25-3	Plain washer ... ..	1	
29	E3253	Sealing ring ... ..	2	
30	E4550	Inlet rocker box ... ..	1	
31	E4551	Exhaust rocker box ... ..	1	
32	E9348	Joint washer ... ..	2	
33	E2980	Rocker box stud ( $\frac{15}{16}$ in. O.A.) ... ..	6	
34	F879	Nut ... ..	6	
35	E3302	Plain washer ... ..	6	
36	S1875	Rocker box bolt (2 $\frac{5}{32}$ in. U.H.) ... ..	4	
37	S25-13	Plain washer ... ..	4	
38	E1596	Cylinder head bolt (for torque stay) ... ..	4	
39	E4610	Inspection cap ... ..	4	
40	E3751	Joint washer ... ..	4	
41	E4609	Locking spring ... ..	4	
42	WE170	Fibre washer ... ..	4	
43	T1553	Screw ( $\frac{3}{8}$ in. U.H.) ... ..	4	
44	E1457	ROCKER (right exhaust, left inlet) ... ..	2	
45	E1458	ROCKER (left exhaust, right inlet) ... ..	2	
46	E10070	Rocker ball pin ... ..	4	
47	E1513	Rocker adjusting pin ... ..	4	
48	E470	Adjuster lock nut ... ..	4	
49	E1330	Thrust washer, $\frac{3}{8}$ in. ... ..	2	
50	E1575	Thrust washer, $\frac{1}{2}$ in. ... ..	6	
51	E1574	Spring washer ... ..	4	
52	E1512	Rocker spindle ... ..	2	

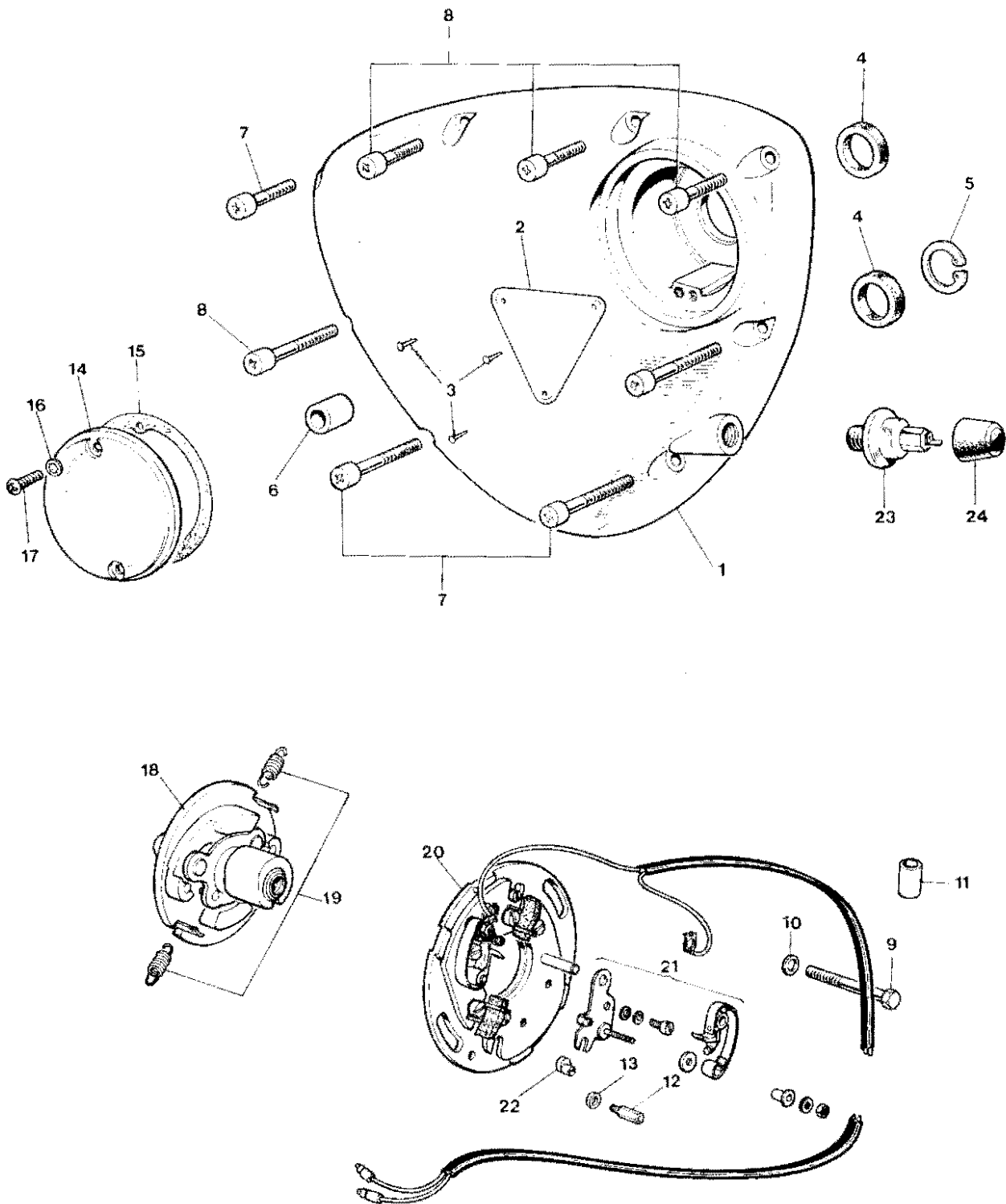


Fig. 6. TIMING COVER AND CONTACT BREAKER



Ref. No.	Part No.	DESCRIPTION	QUANTITY	REMARKS
<b>TIMING COVER AND CONTACT BREAKER</b>				
1	E9246	Timing cover ... ..	1	
2	E4016	Patent plate ... ..	1	
3	D208-5	Hammer-drive screw ... ..	3	
4	E4568	Oil seal ... ..	2	
4	E6387	Oil seal (0-020 in undersize) ... ..	1	For reground crankshaft
5	E4569	Circlip ... ..	1	
6	T989	Hollow dowel ... ..	1	
7	14-6609	Screw (1 $\frac{5}{16}$ in. U.H.) ... ..	3	
8	14-6608	Screw (1 in. U.H.) ... ..	5	
9	E8828	Bolt (2 in. U.H.)... ..	1	
10	S25-43	Plain washer ... ..	1	
11	E4707	Rubber grommet ... ..	1	
12	E7680	Pillar bolt ... ..	2	
13	E6559	Plain washer ... ..	2	
14	E8737	Cover ... ..	1	
15	E5049	Joint washer ... ..	1	
16	GS299	Serrated washer ... ..	2	
17	E7354	Screw ( $\frac{1}{2}$ in. U.H.) ... ..	2	
18	99-0771	AUTO ADVANCE UNIT (54419340) ... ..	1	
19	99-0757	Spring set (54415642) ... ..	1	
20	99-0768	CONTACT BREAKER PLATE ASSEMBLY (54419097) ... ..	1	
21	99-0772	Contact set (54419827) ... ..	2	
22	99-0769	Pin, adjustment (54419220) ... ..	2	
—	E4849	Dowel pin for auto advance ... ..		Not illustrated
23	*D2133	Oil pressure switch ... ..	1	
24	D2045	Cover pressure switch ... ..	1	
—	D2138	Timing label for C.B. cover ... ..		Not illustrated

\* E9526 Blanking plug available to replace oil switch if required

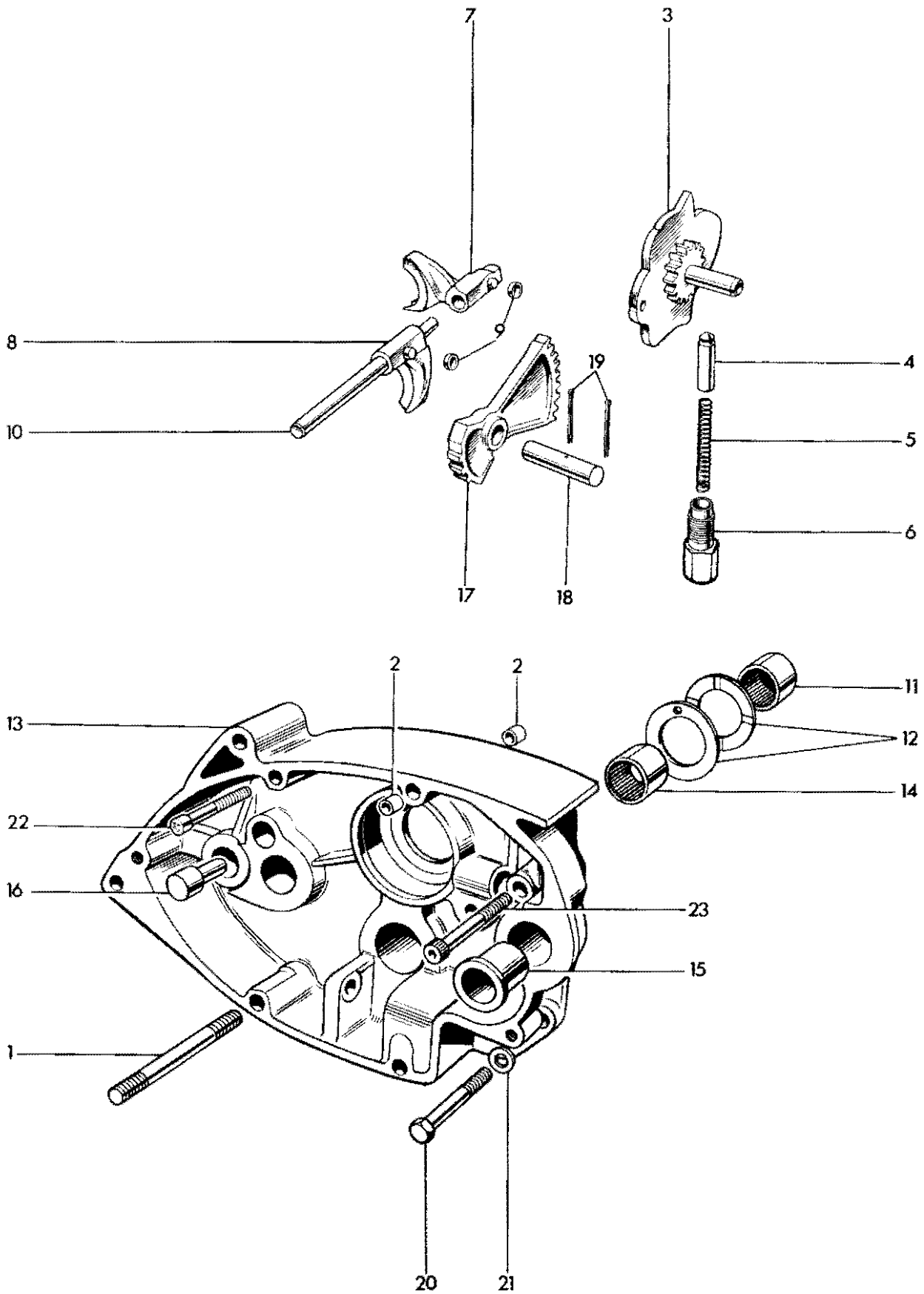


Fig. 7. GEARBOX INNER COVER AND SELECTORS

**GEARBOX INNER COVER AND SELECTORS**

1	14-1427	Stud (3 in. O.A.)	2	
2	T989	Hollow dowel	4	
3	T3650	Gear selector camplate	1	
4	T3660	Camplate index plunger	1	
5	T3661	Index plunger spring	1	
5	T1604	Strong index plunger spring	as required	
6	T2172	Index plunger holder	1	
7	T260B	Mainshaft selector fork	1	
8	T913	Layshaft selector fork	1	
9	NT261	Selector fork roller	2	
10	T291	Selector fork rod	1	
11	T1606	Layshaft bearing	1	
12	T1607	Thrust washer	2	
13	T3766	GEARBOX INNER COVER	1	
14	T1614	Layshaft bearing	1	
15	T412	Gearchange spindle bush...	1	
16	T45	Kickstarter stop	1	
17	T397	Camplate operating quadrant...	1	
18	T1896	Quadrant spindle	1	
19	$\frac{5}{32}$ in. x $1\frac{3}{8}$ in.	Split pin	2	
20	S1907	Bolt ( $1\frac{1}{8}$ in. U.H.)	1	
21	E3446	Plain washer	1	
22	14-6608	Screw (1 in. U.H.)	1	
23	14-7023	Socket screw ( $1\frac{3}{4}$ in. U.H.)	1	
24	E3728	Countersunk screw ( $\frac{1}{2}$ in. U.H.)	1	

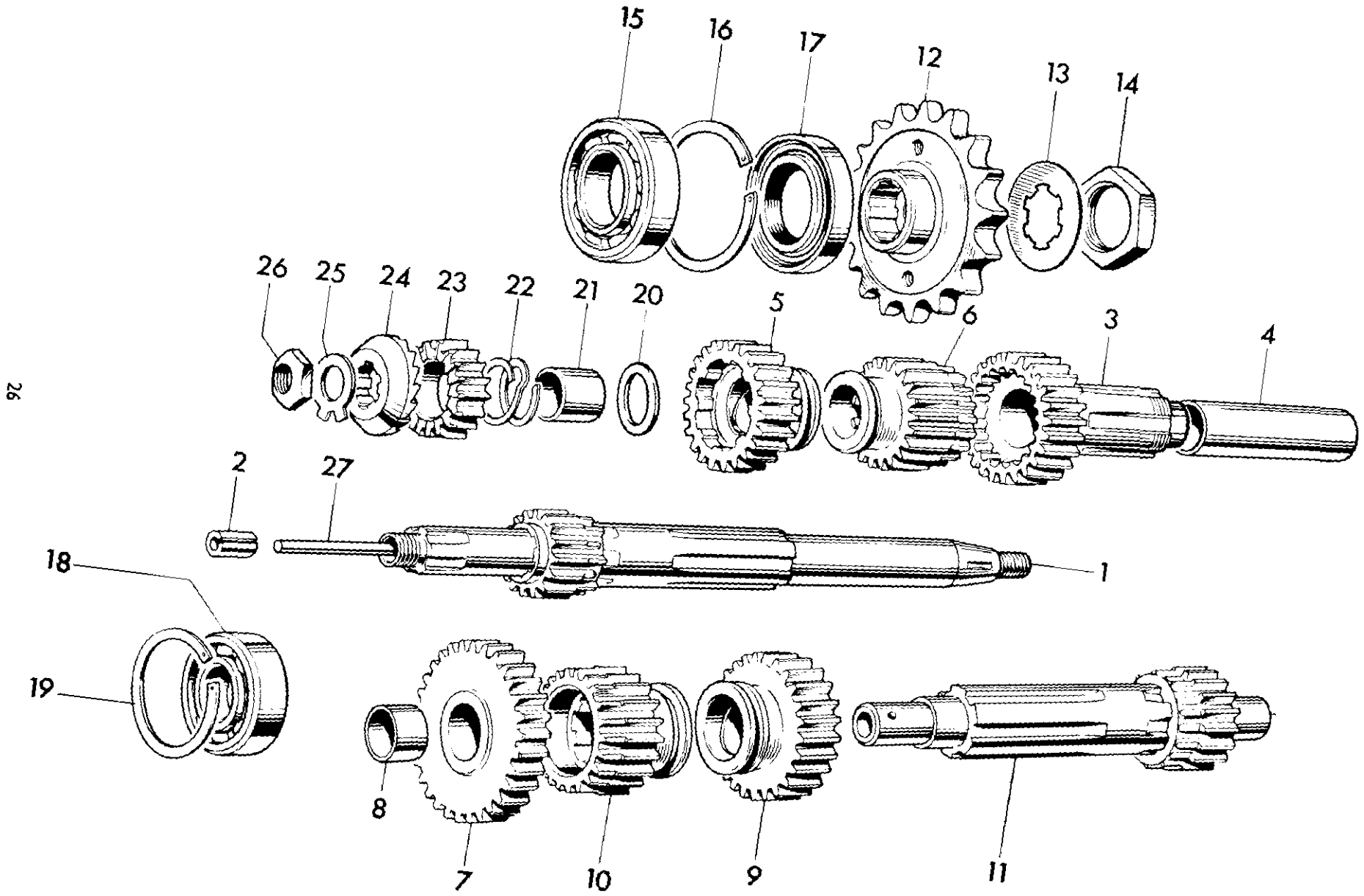


Fig. 8. GEARBOX SHAFTS AND GEARS

**GEARBOX SHAFTS AND GEARS**

1	T2436	MAINSHAFT c/w LOW GEAR (16T)	...	...	...	...	1	
2	PT108B	Clutch rod bush	...	...	...	...	1	
3	T2316	MAINSHAFT HIGH GEAR (26T)	...	...	...	...	1	
4	T1370	High gear bush	...	...	...	...	1	
5	T2378	Mainshaft third gear (24T)	...	...	...	...	1	
6	T916	Mainshaft second gear (20T)	...	...	...	...	1	
7	<del>T926</del> T3762	LAYSHAFT LOW GEAR (30T)	...	...	...	...	1	
8	T928	Low gear bush	...	...	...	...	1	
9	<del>T1065</del> T3861	Layshaft second gear (26T)	...	...	...	...	1	
10	T2379	Layshaft third gear (22T)	...	...	...	...	1	
11	T2093	Layshaft c/w high gear (20T)	...	...	...	...	1	
12	T1952	Gearbox sprocket (15 teeth)	...	...	...	...	1	} See pages 5 to 7 for standard sizes
12	T1953	Gearbox sprocket (16 teeth)	...	...	...	...	1	
12	T1916	Gearbox sprocket (17 teeth)	...	...	...	...	1	
12	T1917	Gearbox sprocket (18 teeth)	...	...	...	...	1	
12	T1918	Gearbox sprocket (19 teeth)	...	...	...	...	1	
12	T1919	Gearbox sprocket (20 teeth)	...	...	...	...	1	
13	T2116	Tab washer	...	...	...	...	1	
14	T440	Gearbox sprocket nut	...	...	...	...	1	
15	T448	High gear bearing	...	...	...	...	1	
16	E489	Circlip	...	...	...	...	1	
17	T946	Oil seal	...	...	...	...	1	
18	S35-7	Mainshaft bearing	...	...	...	...	1	
19	T280	Circlip	...	...	...	...	1	
20	T1962	Plain washer	...	...	...	...	1	
21	T1963	Pinion sleeve	...	...	...	...	1	
22	T1250	Pinion spring	...	...	...	...	1	
23	T730	Kickstarter pinion	...	...	...	...	1	
24	T731	Kickstarter ratchet	...	...	...	...	1	
25	T2240	Tab washer	...	...	...	...	1	
26	S594	Nut	...	...	...	...	1	
27	T1736	Clutch operating rod	...	...	...	...	1	

**WIDE RATIO GEARS**

3	T2530	MAINSHAFT HIGH GEAR (28T)	...	...	...	...	1	
6	T968	Mainshaft second gear (19T)	...	...	...	...	1	
9	T974	Layshaft second gear (27T)	...	...	...	...	1	
11	T1844	Layshaft c/w high gear (18T)	...	...	...	...	1	

**CLOSE RATIO GEARS**

1	T2438	MAINSHAFT c/w LOW GEAR (18T)	...	...	...	...	1	
3	T2528	MAINSHAFT HIGH GEAR (24T)	...	...	...	...	1	
5	T1179	Mainshaft third gear (23T)	...	...	...	...	1	
6	T955	Mainshaft second gear (21T)	...	...	...	...	1	
7	T961	LAYSHAFT LOW GEAR (28T)	...	...	...	...	1	
9	T963	Layshaft second gear (25T)	...	...	...	...	1	
10	T964	Layshaft third gear (23T)	...	...	...	...	1	
11	T1845	Layshaft c/w high gear (22T)	...	...	...	...	1	

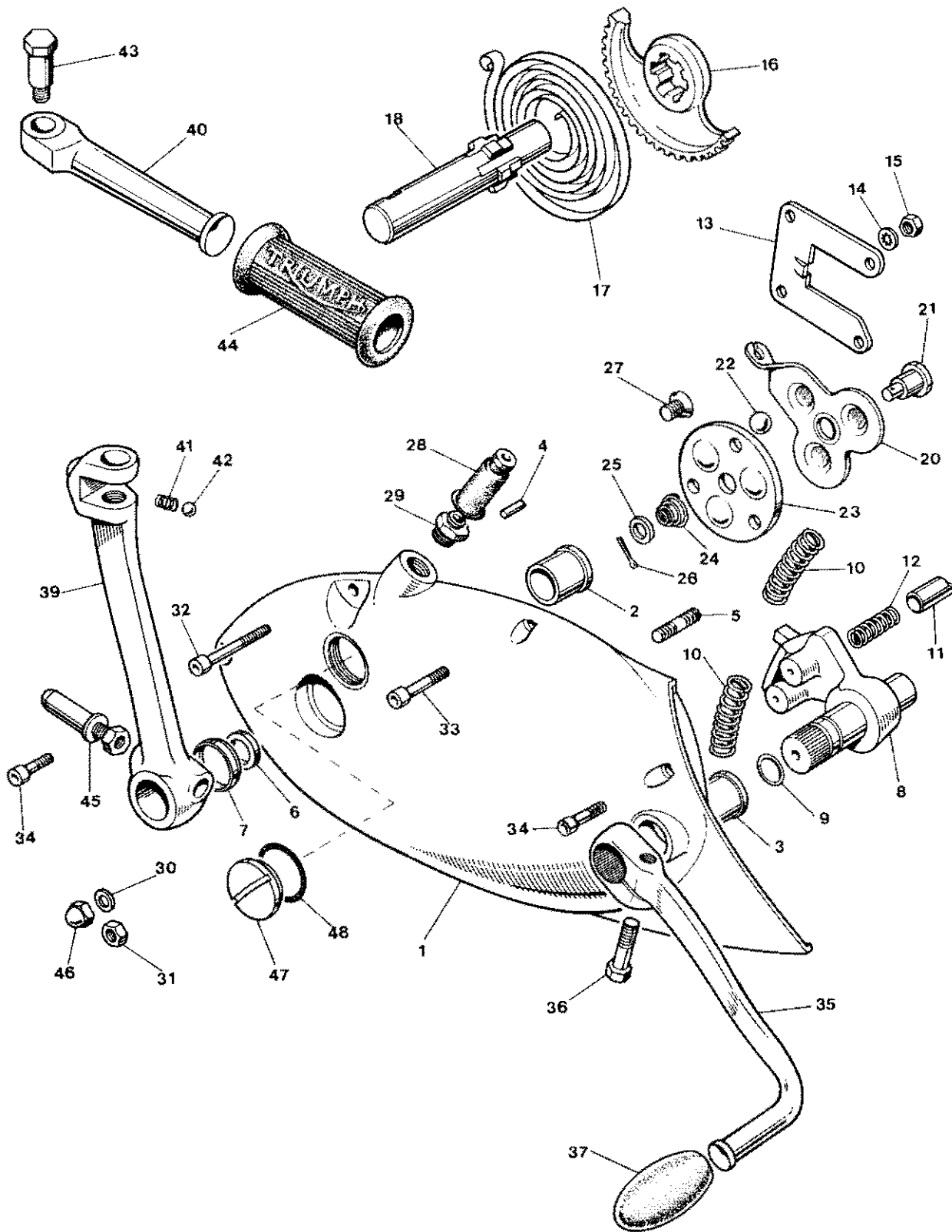


Fig. 9. GEARBOX OUTER COVER

Ref. No.	Part No.	DESCRIPTION	QUANTITY	REMARKS
----------	----------	-------------	----------	---------

### GEARBOX OUTER COVER

1	T3760	GEARBOX OUTER COVER	1	
2	T57	Gearchange spindle bush...	1	
3	T23	Kickstarter spindle bush	1	
4	T47	Kickstarter spring anchor pin	1	
5	S547	Guide plate stud ( $\frac{7}{8}$ in. O.A.)	4	
6	T1956	Oil seal	1	
7	T1955	Oil seal housing	1	
8	T408;9	Gearchange quadrant	1	
9	E3309	Rubber "O" ring	1	
10	T404	Quadrant return spring	2	
11	T406	Gearchange quadrant plunger	2	
12	T405	Plunger spring	2	
13	T407	Guide plate	1	
14	E1612	Serrated washer	4	
15	14-0301	Nut	4	
16	T25A	Kickstarter quadrant	1	
17	T31	Kickstarter return spring	1	
18	T24A	Kickstarter axle	1	
19	T3629	CLUTCH LEVER ASSEMBLY	1	
20	T2191	Clutch lever	1	
21	T1710	Lever shaft	1	
22	T1771	Ball, $\frac{3}{8}$ in. diam.	3	
23	T1711	Thrust plate	1	
24	T1712	Return spring	1	
25	GS127	Plain washer	1	
26	$\frac{5}{64}$ in. x $\frac{1}{2}$ in.	Split pin	1	
27	S1879	Countersunk screw ( $\frac{13}{32}$ in. O.A.)	2	
28	T1646	Rubber cover	1	
29	T3762	Abutment for clutch cable	1	
30	S25-3	Plain washer	2	
31	14-0302	Nut	1	
32	S1878	Screw ( $2\frac{3}{4}$ in. U.H.)	2	
33	14-6609	Screw ( $1\frac{5}{16}$ in. U.H.)	2	
34	14-6608	Screw (1 in. U.H.)	1	
35	T3757	Gearchange pedal	1	
36	W932	Bolt (1 in. U.H.)	1	
37	T2450	Pedal rubber	1	
38	T3632	FOLDING KICKSTARTER	1	
39	T2173	Kickstarter lever	1	
40	T1272	Kickstarter pedal	1	
41	T1167	Pedal locating spring	1	
42	S70-3	Steel ball, $\frac{1}{4}$ in. diam.	1	
43	S541	Pedal bolt	1	
44	T2330	Pedal rubber	1	
45	T1222	Cotter pin c/w nut and washer	1	
46	S544	Domed nut	1	
47	T2166	Filler plug	1	
48	E8782	Fibre washer	1	

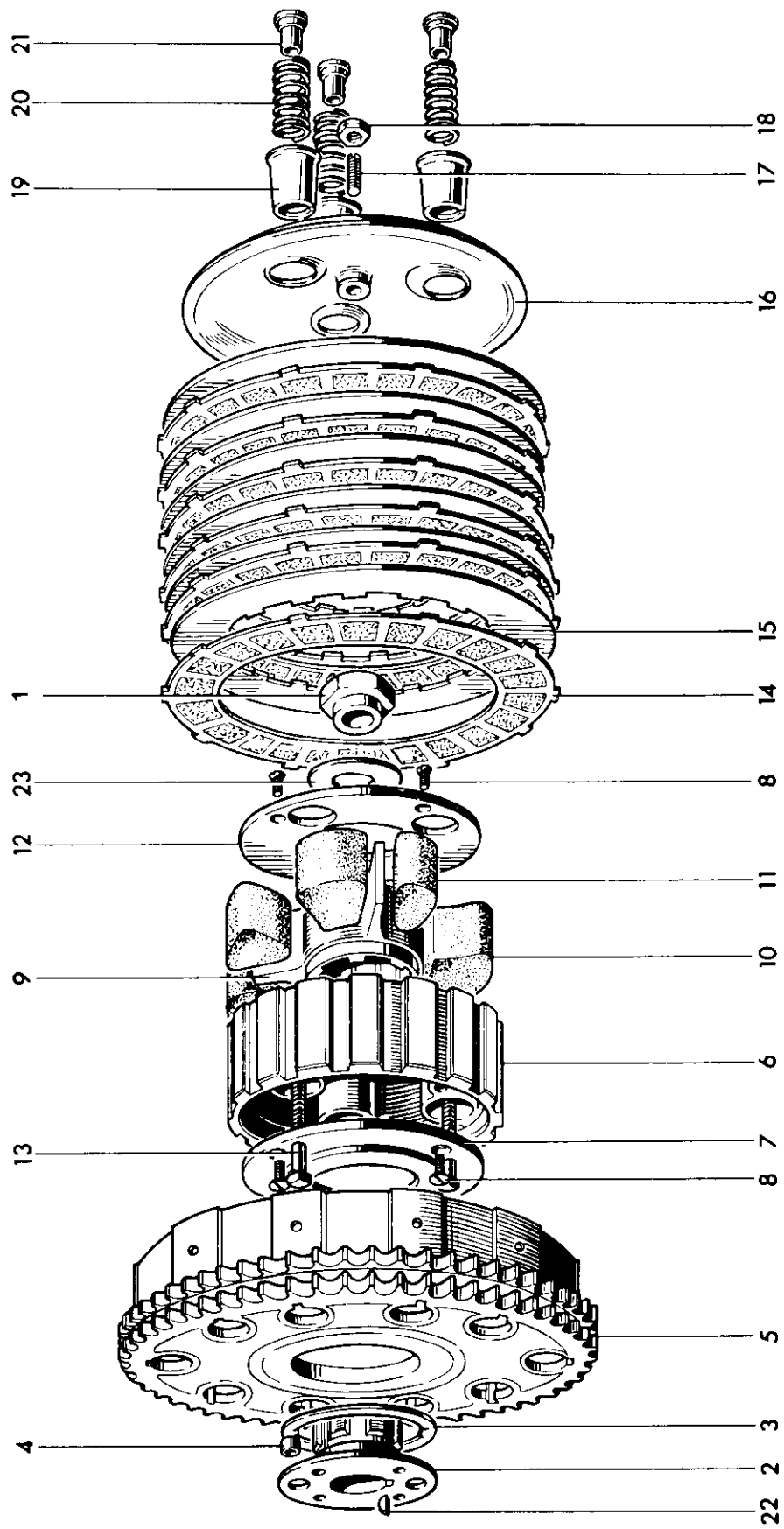


Fig. 10. CLUTCH



Ref. No.	Part No.	DESCRIPTION	QUANTITY	REMARKS
----------	----------	-------------	----------	---------

**CLUTCH**

1	S586	Clutch securing nut	1	
2	T1734	Hub	1	
3	T1735	Thrust washer	1	
4	T394	Roller	20	
5	T1570	Sprocket and housing (58 teeth Duplex)	1	
6	T1719	Centre	1	
7	T1720	Inner plate	1	
8	T1040	Countersunk screw (0.417 in. U.H.)	6	
9	T2538	Shock absorber spider	1	
10	T1722	Drive rubber (large)	3	
11	T1723	Rebound rubber (small)	3	
12	T1724	Outer plate	1	
13	T423A	Screwed pin (1 $\frac{27}{32}$ in. U.H.)	3	
14	T1362	Driving plate (bonded)	6	
15	T1363	Driven plate	6	
16	T2156	Pressure plate	1	
17	T2159	Adjuster pin	1	
18	14-0403	Nut	1	
19	T1931	Spring cup	3	
20	T1830	Spring	3	
21	T2526	Pressure nut	3	
22	S66-1	Key	1	
23	T2279	Cupped washer	1	

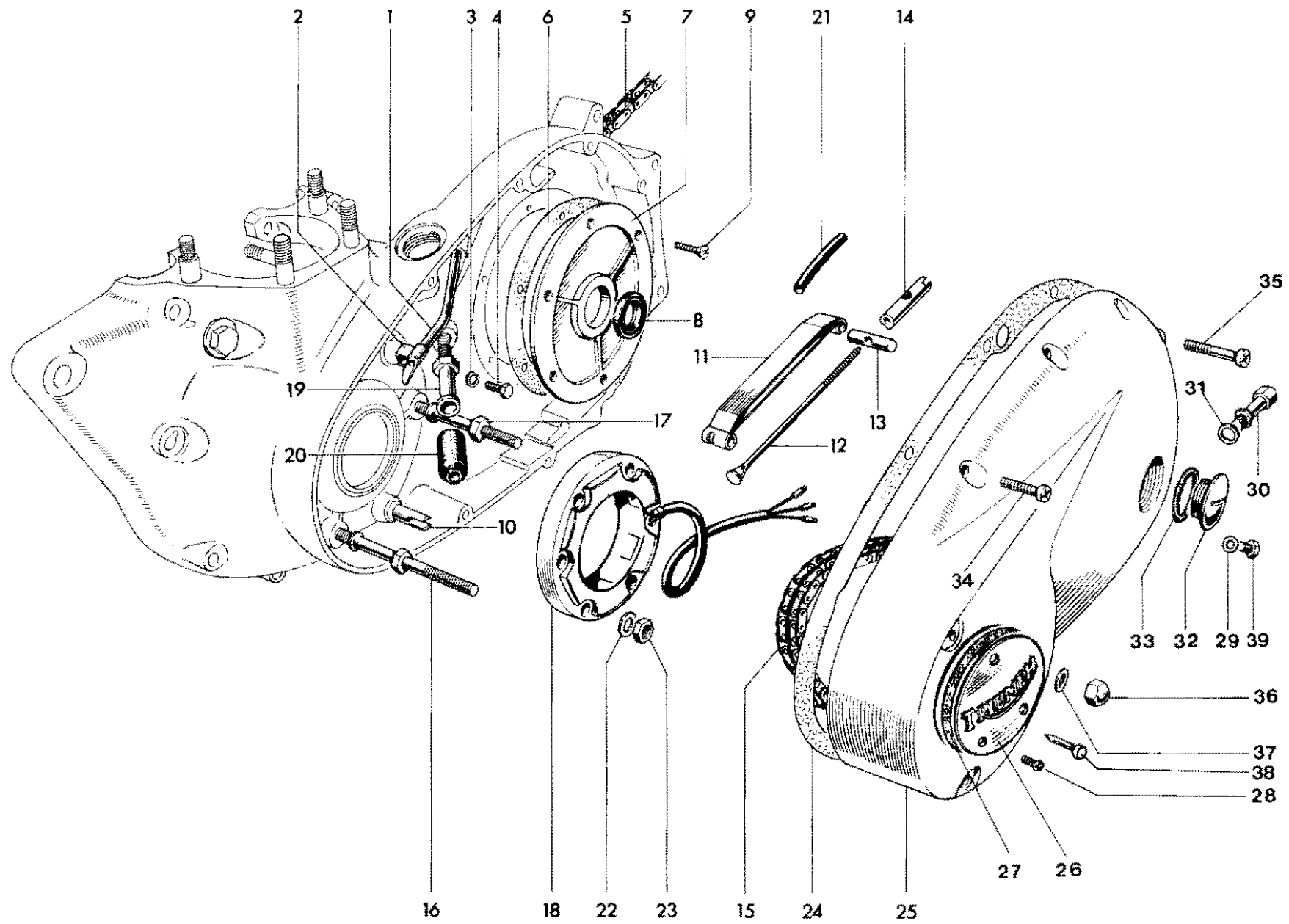


Fig. 11. CHAINCASE AND CHAINS

### CHAINCASE AND CHAINS

1	E4704	Primary chain oiler tube	1	
2	E4705	Clip	1	
3	S26-2	Spring washer	1	
4	14-0101	Bolt ( $\frac{7}{16}$ in. U.H.)	2	
5	D530	Rear chain, $\frac{5}{8}$ in. x $\frac{3}{8}$ in. x 104 links	1	
6	E3832	Joint washer	1	
7	E7037	Cover plate	1	
8	E7565	Oil seal	1	
9	E3821	Countersunk screw ( $\frac{5}{16}$ in. U.H.)	6	
10	E5976	Chain tensioner abutment	1	
11	E6061	Chain tensioner blade	1	
12	E4152	Tie rod	1	
13	E5977	Trunnion	1	
14	E9703	Adjuster sleeve nut	1	
15	D477	Primary chain, $\frac{3}{8}$ in. Duplex x 84 links	1	
16	S1866	Stator stud ( $4\frac{1}{2}$ in. O.A.)	2	
17	S1867	Stator stud	1	
18	99-1006	Stator, RM21 (47205)	1	
19	E8992	Sleeve nut	1	
20	E4144	Rubber grommet	1	
21	E5449	Plastic sleeve	1	
22	S25-3	Plain washer	3	
23	14-0702	Self-locking nut	3	
24	T1770	Joint washer	1	
25	E9245	Chaincase	1	
26	T2440	Rotor cover	1	
27	T2442	Joint washer	1	
28	F4129	Screw	3	
29	E2441	Copper washer	1	
30	T2559	Drain and adjuster plug	1	
31	T1738	Fibre washer	1	
32	T2166	Filler plug	1	
33	E8782	Fibre washer	1	
34	14-6608	Screw (1 in. U.H.)	6	
35	14-6620	Screw ( $\frac{3}{2}$ in. U.H.)	2	
36	S544	Domed nut	2	
37	F1880	Copper washer	2	
38	T2443	Timing pointer	1	
39	14-6101	Level plug	1	

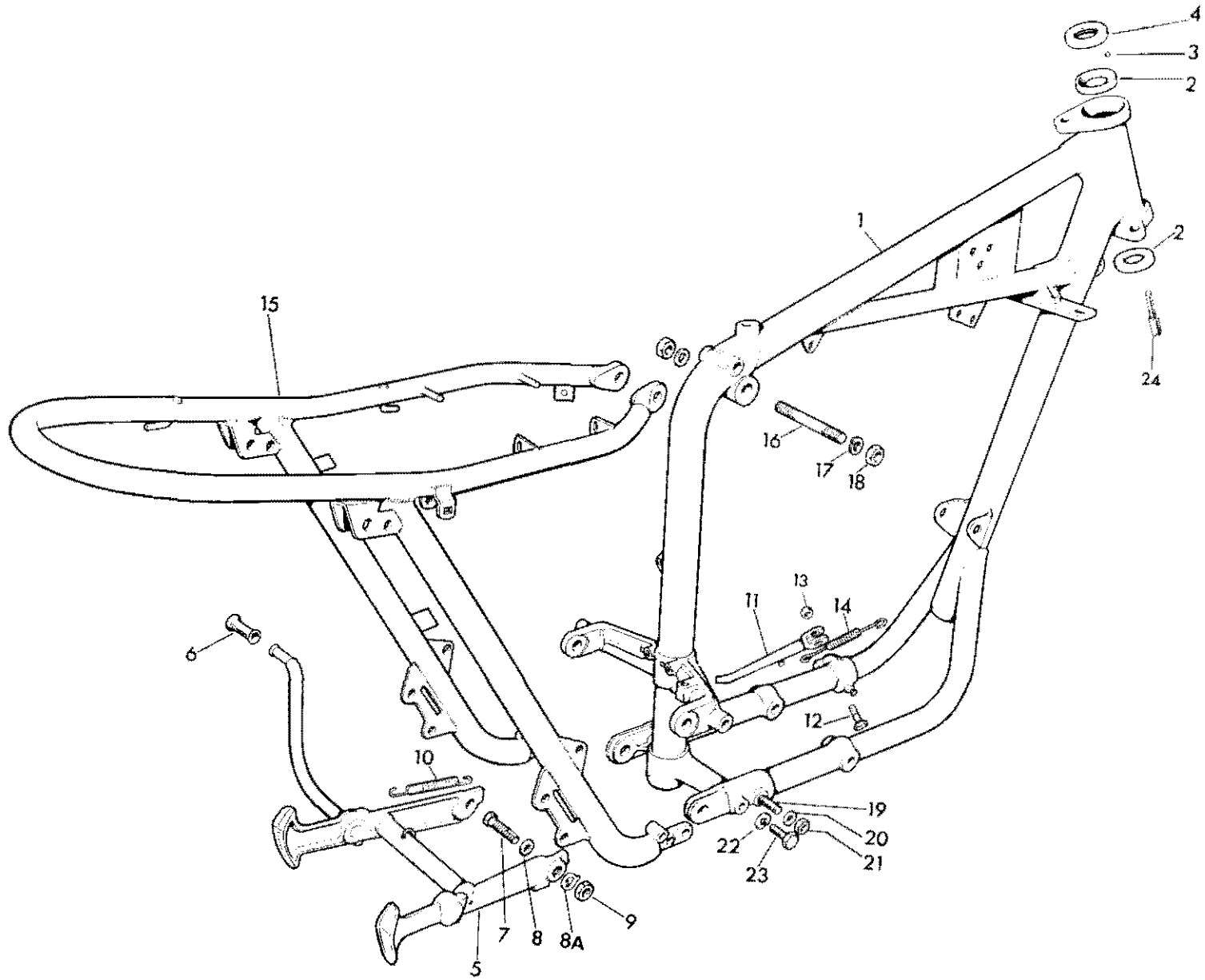


Fig. 12. FRAME

Ref. No.	Part No.	DESCRIPTION	QUANTITY	REMARKS
<b>FRAME</b>				
1	F7843	Front frame	1	
2	H111	Steering race cup	2	
3	S70-3	Steel ball ( $\frac{1}{4}$ in. diam.)	40	
4	H1018	Top cone and dust cover	1	
5	F11267	Centre stand	1	
6	T2331	Pedal rubber	1	
7	S1978	Pivot bolt	2	
8	F5679	Plain washer	2	
8A	F11270	Tab washer	2	
9	14-0404	Nut	2	
10	F4671	Return spring	1	
11	F7849	Prop stand	1	
12	F7021	Pivot bolt	1	
13	14-0703	Self locking nut	1	
14	F8392	Return spring	1	
15	F8036	Rear frame	1	
16	S1801	Stud ( $3\frac{7}{8}$ in. O.A.)	1	
17	S26-1	Spring washer	2	
18	14-0303	Nut	2	
19	14-0251	Bolt ( $2\frac{1}{8}$ in. U.H.)	2	
20	F4370	Plain washer	2	
21	14-0304	Nut	2	
22	PCW73A	Spring washer	2	
23	S588	Bolt ( $1\frac{3}{8}$ in. U.H.)	2	
24	F7155	Steering stop	2	

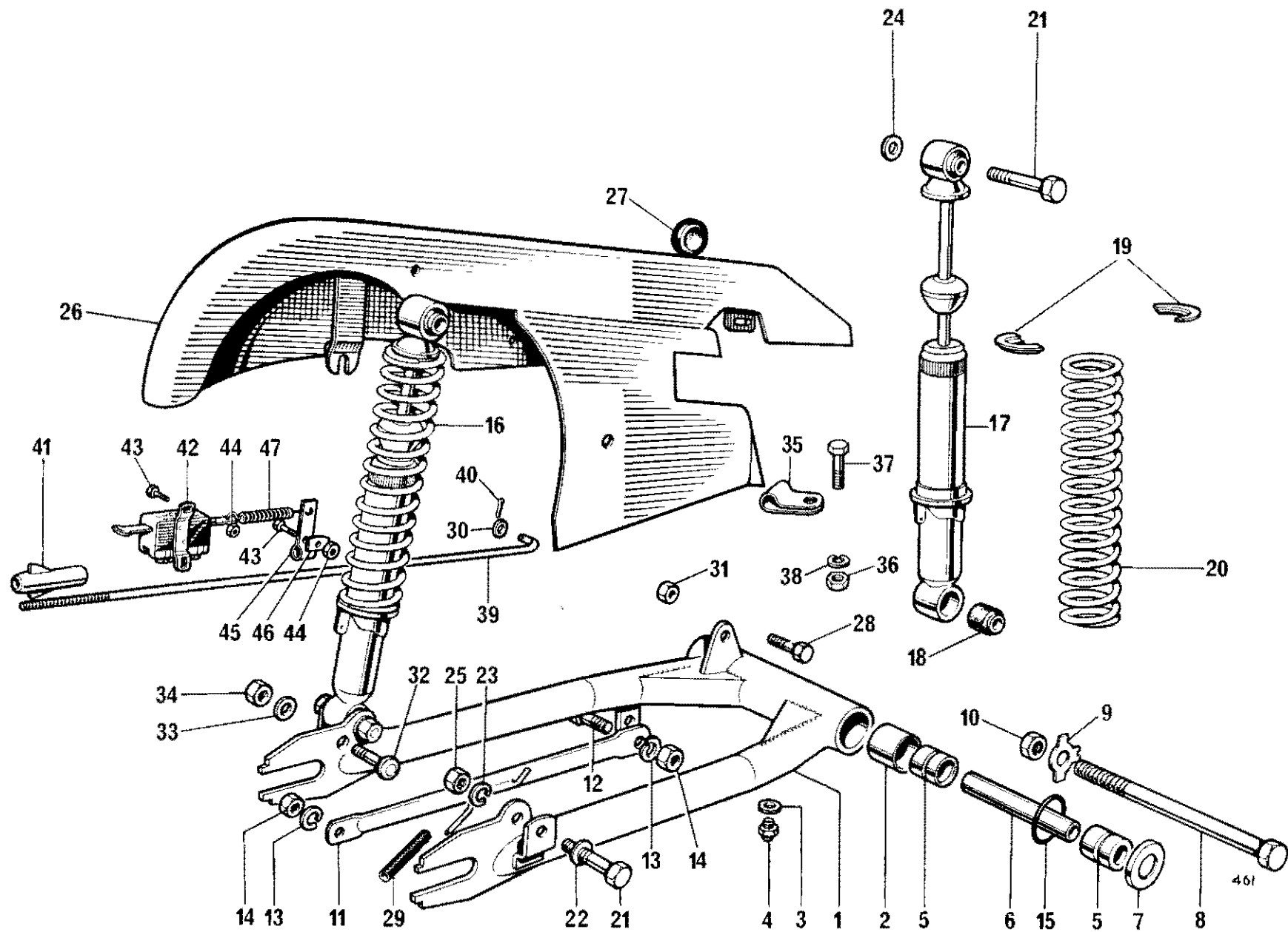


Fig. 13. SWINIGNG FORK AND SUSPENSION UNITS

**SWINGING FORK AND SUSPENSION UNITS**

1	F10045	SWINGING FORK	1	
2	F6042	Pivot bush	2	
3	NW100	Grease nipple	1	
4	WE170	Fibre washer	1	
5	F6821	Sleeve	2	
6	F5313	Distance tube	1	
7	F7848	Flanged washer	2	
8	S620	Bolt (8 $\frac{5}{8}$ in. U.H.)	1	
9	F5944	Tab washer	1	
10	S545	Nut	1	
11	F7365	Brake torque stay	1	
12	S1802	Bolt (3 $\frac{7}{8}$ in. U.H.)	1	
13	PCW73A	Spring washer	2	
14	14-0304	Nut	2	
15	F8090	"O" ring	2	
16	D2024	SUSPENSION UNIT (64052107)	2	
17	Reference only	Damper unit	2	
18	99-0122	Bonded bush (64533645)	4	
19	99-0107	Spring retainer (9054/171)	4	
20	99-1048	Spring 100 lbs. chrome (64543708)	2	
20	99-1047	Spring, 145 lbs. chrome heavy duty (64544234)	Available	
21	14-0235	Unit fixing bolt (1 $\frac{5}{16}$ in. U.H.)	4	
22	S25-2	Plain washer	2	
23	S26-1	Spring washer	2	
24	GS308	Plain washer	3	
25	14-0303	Nut	4	
26	F7067	Chainguard	1	
27	F5536	Grommet	1	
28	14-0113	Bolt (1 $\frac{9}{16}$ in. U.H.)	1	
29	F7364	Rubber tube	1	
30	S25-13	Plain washer	1	
31	14-0702	Self-locking nut	1	
32	F9387	Stepped bolt	1	
33	S25-3	Plain washer	1	
34	14-0302	Nut	1	
35	F3808	Clip	1	
36	F879	Nut	1	
37	F1369	Bolt (5 $\frac{5}{8}$ in. U.H.)	1	
38	S26-2	Spring washer	1	
39	F7386	Brake operating rod	1	
40	1 $\frac{1}{8}$ in. x 3 $\frac{3}{8}$ in.	Split pin	1	
41	F7387	Adjuster nut	1	
42	99-0725	Stop lamp switch, type 22B (54033234)	1	
43	T1076	Screw (3 $\frac{3}{8}$ in. U.H.)	3	
44	F4717	Self locking nut	5	
45	F5412	Switch lever	1	
46	F5413	"D" washer	1	
47	F3158	Spring (315738)	1	

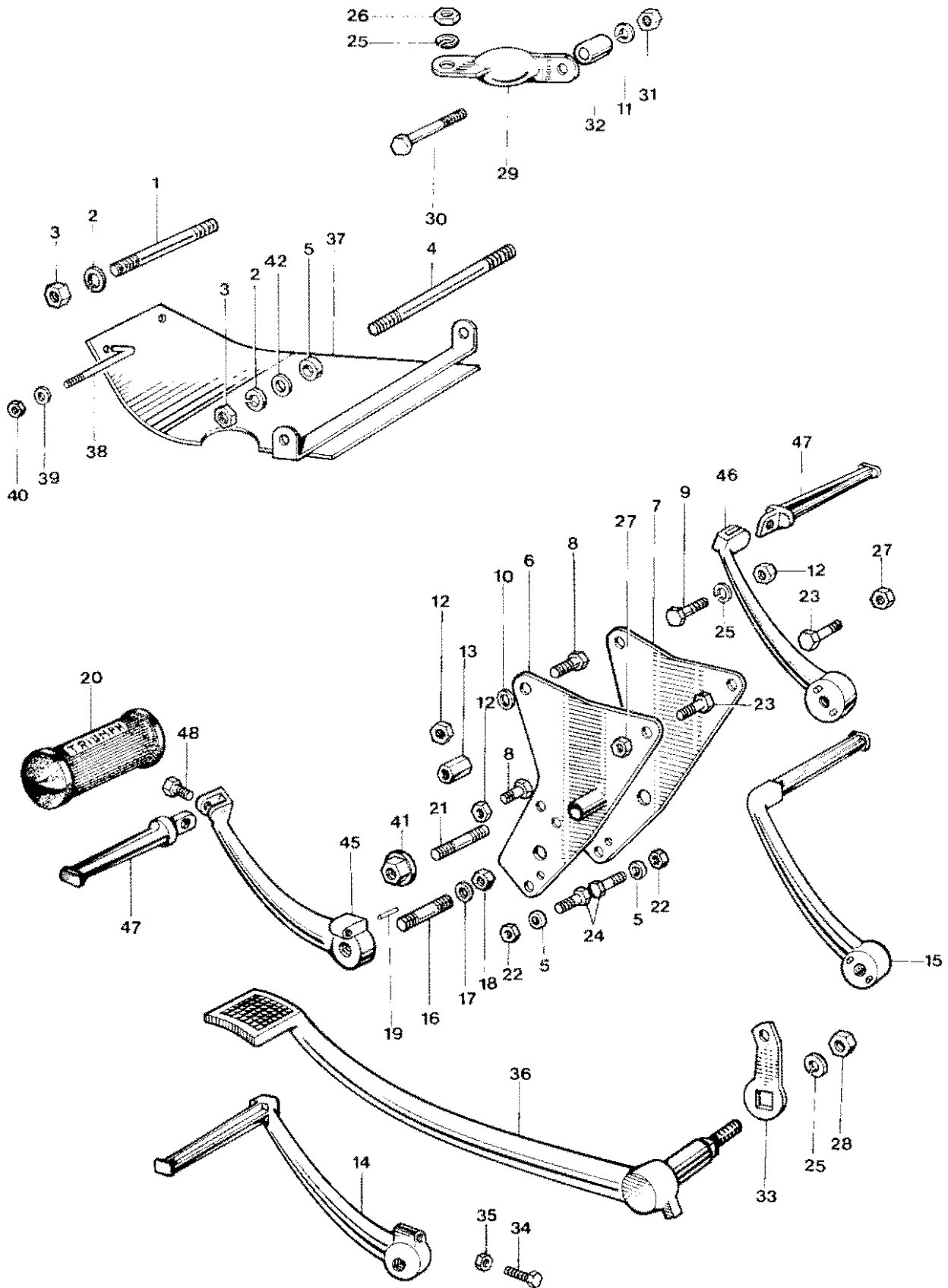


Fig. 14. ENGINE UNIT FITTING AND FOOTRESTS



**ENGINE UNIT FITTINGS AND FOOTRESTS**

1	F5469	Stud (3 $\frac{1}{8}$ in. O.A.)	1	
2	PCW73A	Spring washer	4	
3	DS47	Nut	4	
4	F6498	Stud (8 $\frac{1}{16}$ in. O.A.)	1	
5	F5532	Distance piece	2	
6	F6066	Left rear engine plate	1	
7	F5908	Right rear engine plate	1	
8	14-0220	Bolt (1 $\frac{3}{4}$ in. U.H.)	2	
9	14-0221	Bolt (2 in. U.H.)	2	
10	S25-3	Plain washer	4	
11	S26-3	Spring washer	6	
12	14-0302	Nut	4	(3 on TR6C) (TR6C only)
13	S1933	Extended nut	1	
14	F9736	Left footrest	1	
15	F9624	Right footrest	1	
16	S1800	Stud (1 $\frac{9}{16}$ in. O.A.)	2	
17	S25-6	Plain washer	2	
18	14-0305	Nut	2	
19	F5943	Peg	4	
20	NF704	Footrest rubber	2	
21	S548	Stud (1 $\frac{3}{8}$ in. O.A.)	2	
22	14-0303	Nut	1	
23	14-0126	Bolt ( $\frac{3}{4}$ in. U.H.)	1	
24	14-0234	Bolt (1 $\frac{3}{4}$ in. U.H.)	2	
25	S26-1	Spring washer	9	
26	S1-52	Nut	4	
27	14-0403	Nut	2	
28	P0172A	Nut	3	
29	E4778	Engine torque stay	4	
30	14-0218	Bolt (1 $\frac{5}{16}$ in. U.H.)	2	
31	14-0302	Nut	2	
32	F3069	Distance piece	4	
33	F6064	Brake pedal lever	1	
34	14-0105	Bolt (1 $\frac{5}{8}$ in. U.H.)	1	
35	14-0401	Nut	1	
36	F6449	Brake pedal	1	
37	F10040	Crankcase undershield...	1	
38	F5788	Hook bolt	2	} TR6C
39	S25-1	Plain washer	2	
40	F879	Nut	2	
41	F7389	Nut	2	
42	F4370	Plain washer	2	
43	F6653	LEFT FOOTREST ASSEMBLY	1	} TR6C
44	F6654	RIGHT FOOTREST ASSEMBLY	1	
45	F6409	Left footrest	1	
46	F6410	Right footrest	1	
47	F6411	Footrest pedal	2	
48	F6655	Pivot bolt	2	

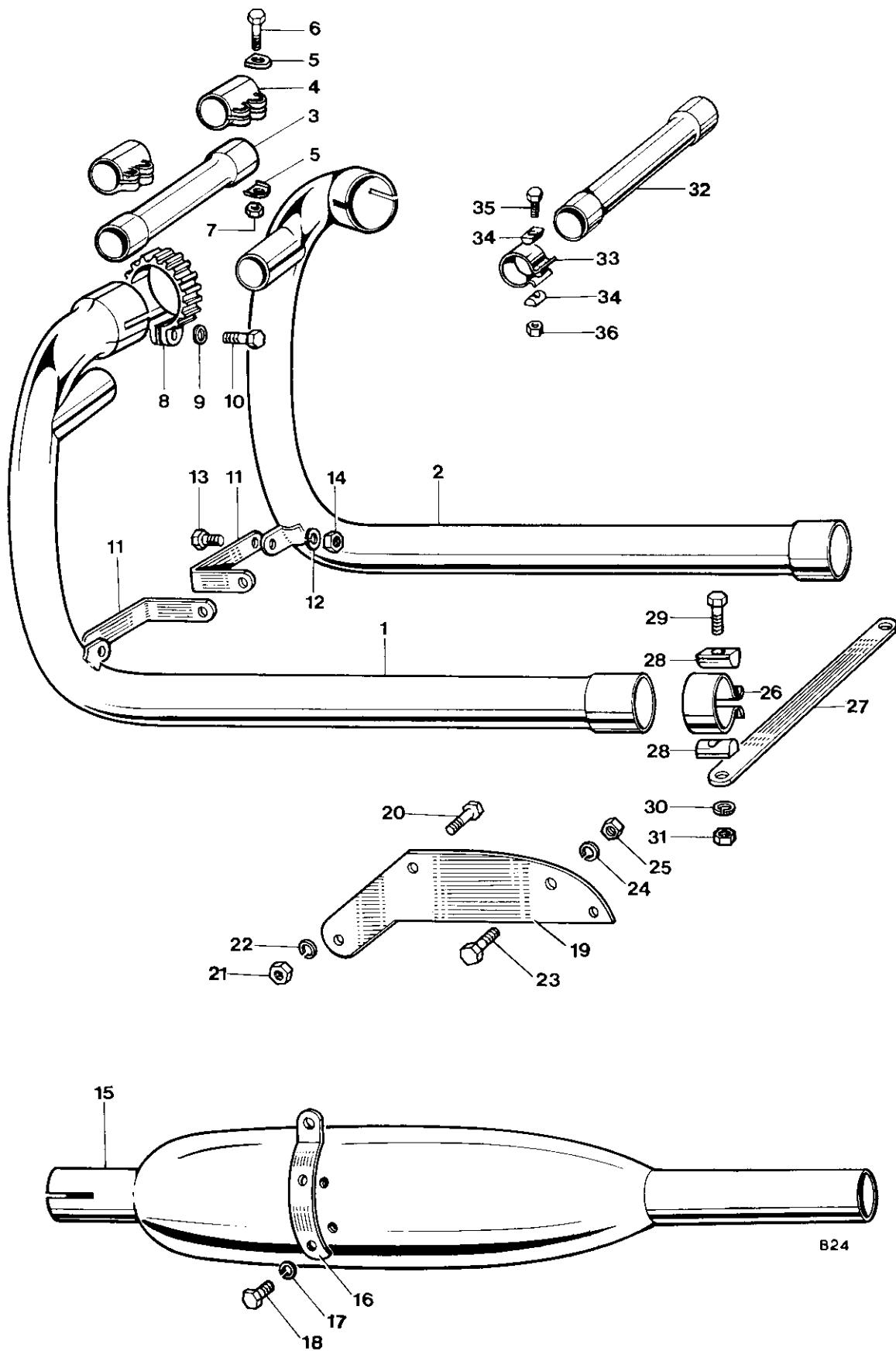


Fig. 15. EXHAUST PIPES AND MUFFLERS T120R, TR6R

**EXHAUST PIPES AND MUFFLERS, T120R, TR6R (See also Page 43)**

Ref. No.	Part No.	DESCRIPTION	QUANTITY	REMARKS
1	E9722	EXHAUST PIPE D.S. ... ..	1	
2	E9723	EXHAUST PIPE T.S. ... ..	1	
3	E9368	Coupling pipe ... ..	1	
4	E9627	Clip ... ..	2	
5	E9626	Cap ... ..	8	
6	14-0204	Bolt, coupling pipe (1 $\frac{3}{8}$ in. U.H.) ... ..	4	
7	14-0301	Nut, coupling pipe ... ..	4	
8	E10216	Clip, exhaust pipe to head ... ..	2	
9	E8860	Spherical washer clip bolt ... ..	2	
10	E6744	Bolt (for clip) ... ..	2	
11	E6857	Exhaust pipe tie ... ..	2	
12	S26-3	Spring washer ... ..	2	
13	E6179	Screw, stay to exhaust pipe ... ..	2	
14	E7471	Nut, stay to exhaust pipe ... ..	2	
15	E5866	Silencer (muffler) ... ..	2	
16	E4951	Bracket, silencer bracket ... ..	2	
17	S26-3	Spring washer ... ..	4	
18	F929	Bolt, bracket to silencer ( $\frac{1}{2}$ in. U.H.) ... ..	4	
19	E4711	Hanger, frame for silencer ... ..	2	
20	14-0115	Bolt, silencer hanger to frame ( $\frac{7}{8}$ in. U.H.) ... ..	4	
21	14-0302	Nut ... ..	4	
22	S26-3	Spring washer ... ..	4	
23	14-0114	Bolt, silencer to frame ( $\frac{3}{4}$ in. U.H.) ... ..	2	
24	S26-3	Spring washer ... ..	2	
25	14-0302	Nut ... ..	2	
26	E2271	Clip, silencer to exhaust pipe ... ..	2	
27	E5676	Stay, DS and TS silencers ... ..	1	
28	E3768	"D" washer ... ..	4	
29	14-0219	Bolt (1 $\frac{1}{2}$ in. U.H.) ... ..	2	
30	S26-3	Spring washer ... ..	2	
31	S1908	Nut ... ..	2	
32	E9888	Coupling pipe ... ..	1	} Alternative parts used on later models
33	E7512	Clip ... ..	2	
34	E3768	"D" washer ... ..	4	
35	14-0219	Bolt ... ..	2	
36	14-1302	Nut ... ..	2	

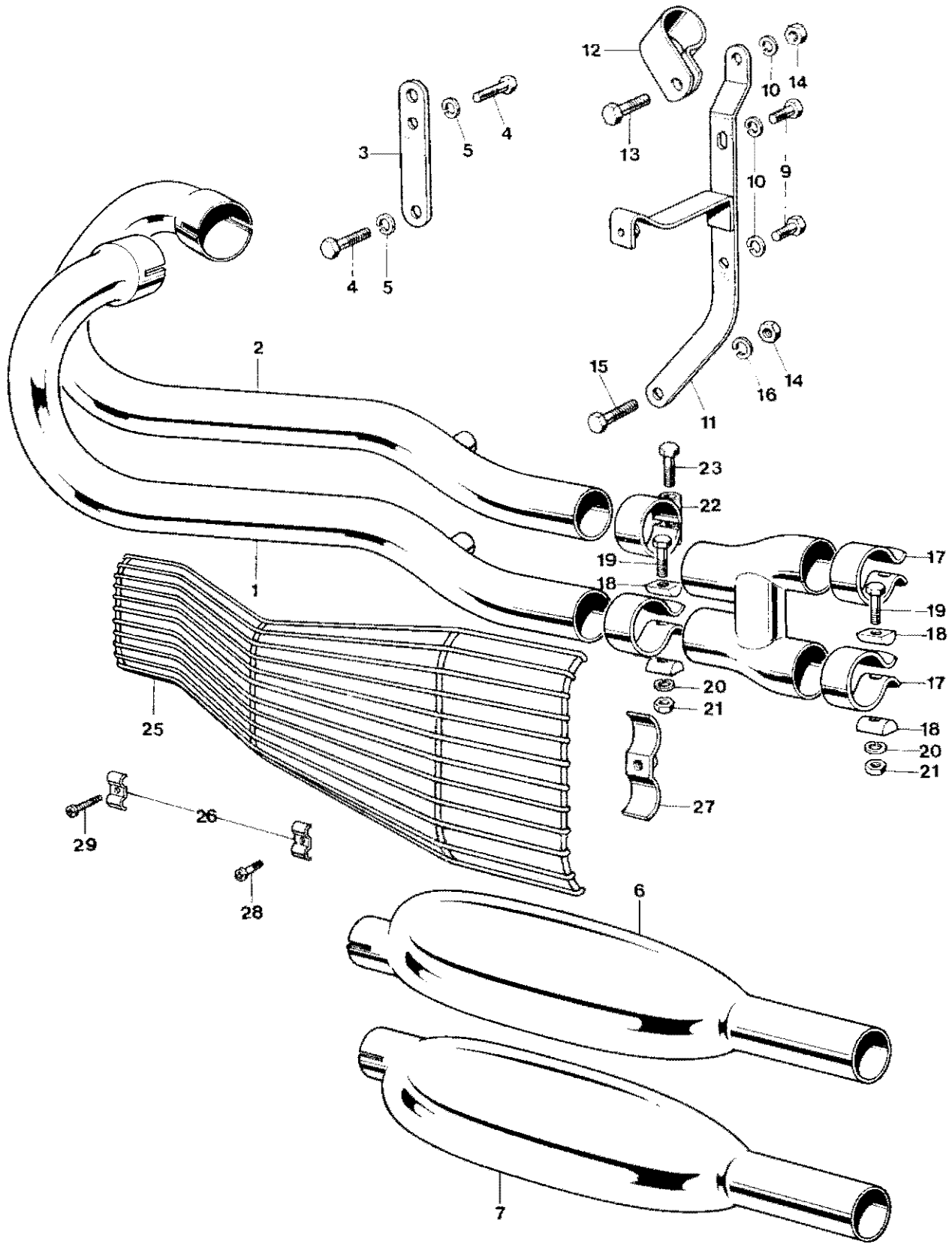


Fig. 16. EXHAUST PIPES AND MUFFLERS (TR6C)

**EXHAUST PIPES AND MUFFLERS TR6C**

1	E10024	Exhaust pipe D.S. lower	1	
2	E10022	Exhaust pipe T.S. upper	1	
3	E6978	Exhaust pipe stay	1	
4	14-0113	$\frac{5}{8}$ in. bolt	3	
5	S26-3	Spring washer	3	
6	E9669	Silencer, upper	1	
7	E9670	Silencer, lower	1	
8	E9673	Connector	1	
9	F929	Bolt	2	
10	S26-3	Spring washer	3	
11	E9692	Silencer bracket	1	
12	F7549	Clip	1	
13	14-0114	Bolt (for clip)	1	
14	14-0302	Nut (for clip)	2	
15	14-0115	Bolt hanger to frame	4	
16	S26-3	Spring washer	4	
17	E2271	Clip	2	
18	E3768	"D" washer	6	
19	14-0219	Bolt washer	3	
20	S26-3	Spring washer	3	
21	S1908	Nut	3	
22	E7299	Clip	1	
23	14-0116	Bolt	1	
24	E5874	Clip	1	
25	E9680	Leg guard	1	
26	E9688	Clip	2	
27	E9696	Bracket	1	
28	S1954	Screw (short)	1	
29	S1953	Screw (long) $1\frac{3}{4}$ in. U.H.	1	
—	E9857	Washer (for lines 28 and 29)	2	Not illustrated

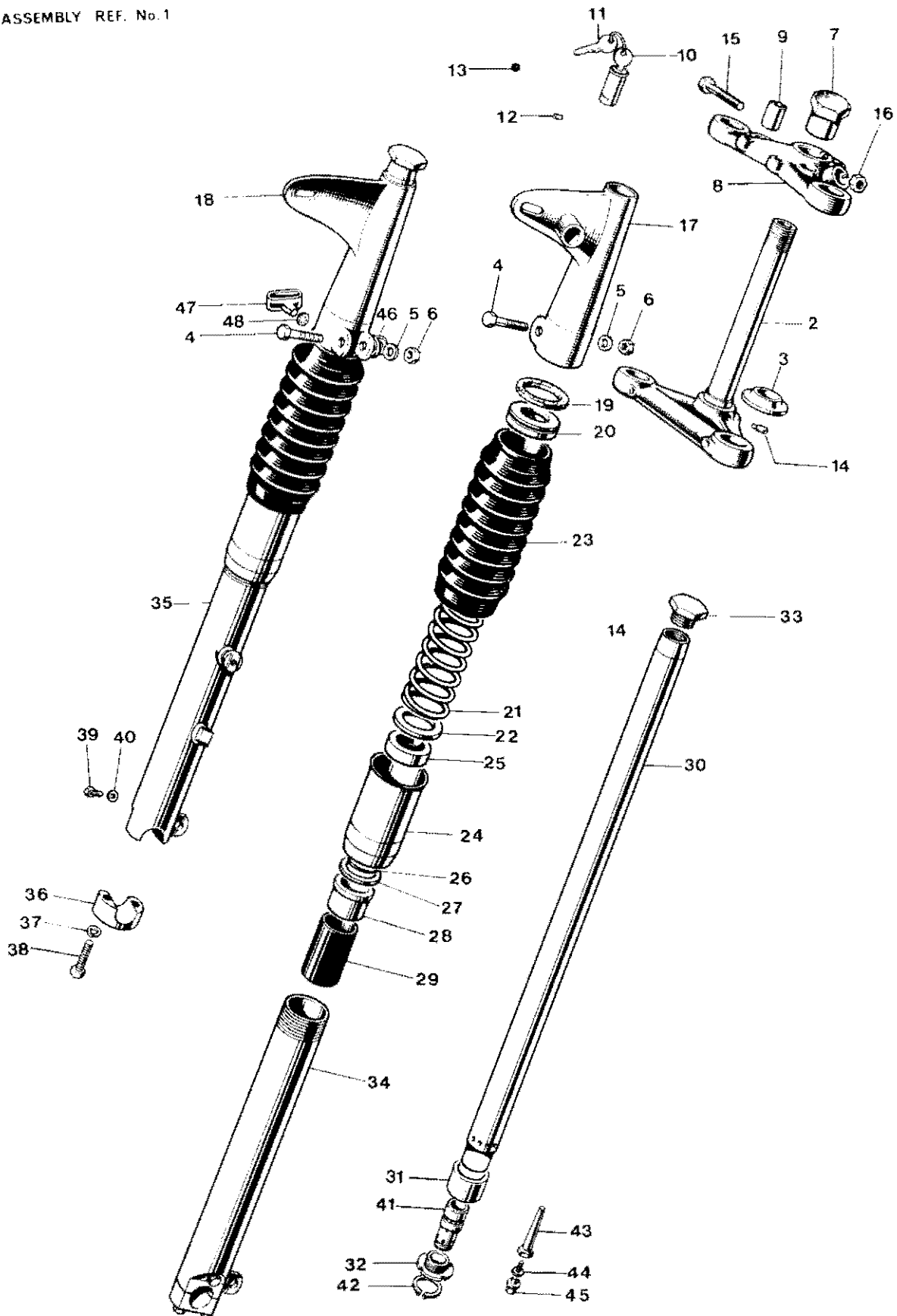


Fig. 17. TELESCOPIC FRONT FORK

Ref. No.	Part No.	DESCRIPTION	QUANTITY	REMARKS
<b>TELESCOPIC FRONT FORK TR6R, T120R</b>				
1	H3656	FORK ASSEMBLY ... ..	1	TR6R
1	H3658	FORK ASSEMBLY ... ..	1	T120R
2	H3659	Middle lug and stem ... ..	1	TR6R
2	H2288	Middle lug and stem ... ..	1	T120R
3	H439	Bottom cone ... ..	1	
4	H2290	Pinch bolt (2 $\frac{1}{4}$ in. U.H.) ... ..	2	
5	S25-2	Plain washer ... ..	2	
6	14-1303	Cleveloc nut ... ..	2	
7	H2263	Fork stem sleeve nut (blind) ... ..	1	
8	H3667	Top lug ... ..	1	
9	H1527	Bonded bush ... ..	2	
10	F6738	Lock c/w 2 keys ... ..	1	
11	D623	Key (state serial number) ... ..	1	Key Nos. run from EJR1 to EJR50
12	S578	Grub screw ... ..	1	
13	H2266	Sealing washer ... ..	1	
14	H2107	Locating pin ... ..	1	
15	S684	Pinch bolt (1 $\frac{1}{8}$ in. U.H.) ... ..	1	
16	S685	Seated nut ... ..	1	
17	H2161	Left top cover ... ..	1	
18	H2162	Right top cover ... ..	1	
19	F4047	Cork washer ... ..	2	
20	H1657	Spring abutment ... ..	2	
21	H1891	Solo main spring (Yellow/Blue) ... ..	2	
21	H1892	Extra strong main spring (Yellow/Green) ... ..	2	Available
22	H1656	Plain washer ... ..	2	
23	H3635	Telescopic gaiter ... ..	2	
24	H3633	DUST EXCLUDER SLEEVE NUT ... ..	2	
25	H1500	Oil seal ... ..	2	
26	H2119	"O" ring ... ..	2	
27	H431	Plain washer ... ..	2	
28	H441	Top bearing ... ..	2	
29	H1896	Damping sleeve ... ..	2	
30	H2092 <i>H3904</i>	Stanchion ... ..	2	
31	H443	Lower bearing ... ..	2	
32	H2091	Bearing nut ... ..	2	
33	H2245	Cap nut ... ..	2	
34	H2294	LEFT BOTTOM MEMBER c/w CAP ... ..	1	
35	H2295	RIGHT BOTTOM MEMBER c/w CAP ... ..	1	
36	H1844	Spindle cap ... ..	2	
37	S26-3	Spring washer ... ..	4	
38	14-0218	Cap bolt (1 $\frac{7}{8}$ in. U.H.) ... ..	4	
39	H519A	Drain plug ... ..	2	
40	H430	Fibre washer ... ..	2	
41	H2154	Shuttle valve ... ..	2	
42	H2127	Circlip ... ..	2	
43	H2090	Restrictor ... ..	2	
44	H1062	Aluminium washer ... ..	2	
45	H2126	Flanged bolt ... ..	2	
46	H3682	Brake cable bracket ... ..	1	
47	H2270	Cable retainer ... ..	1	
48	F8245	Starlock washer ... ..	1	

FORK ASSEMBLY REF. N°1

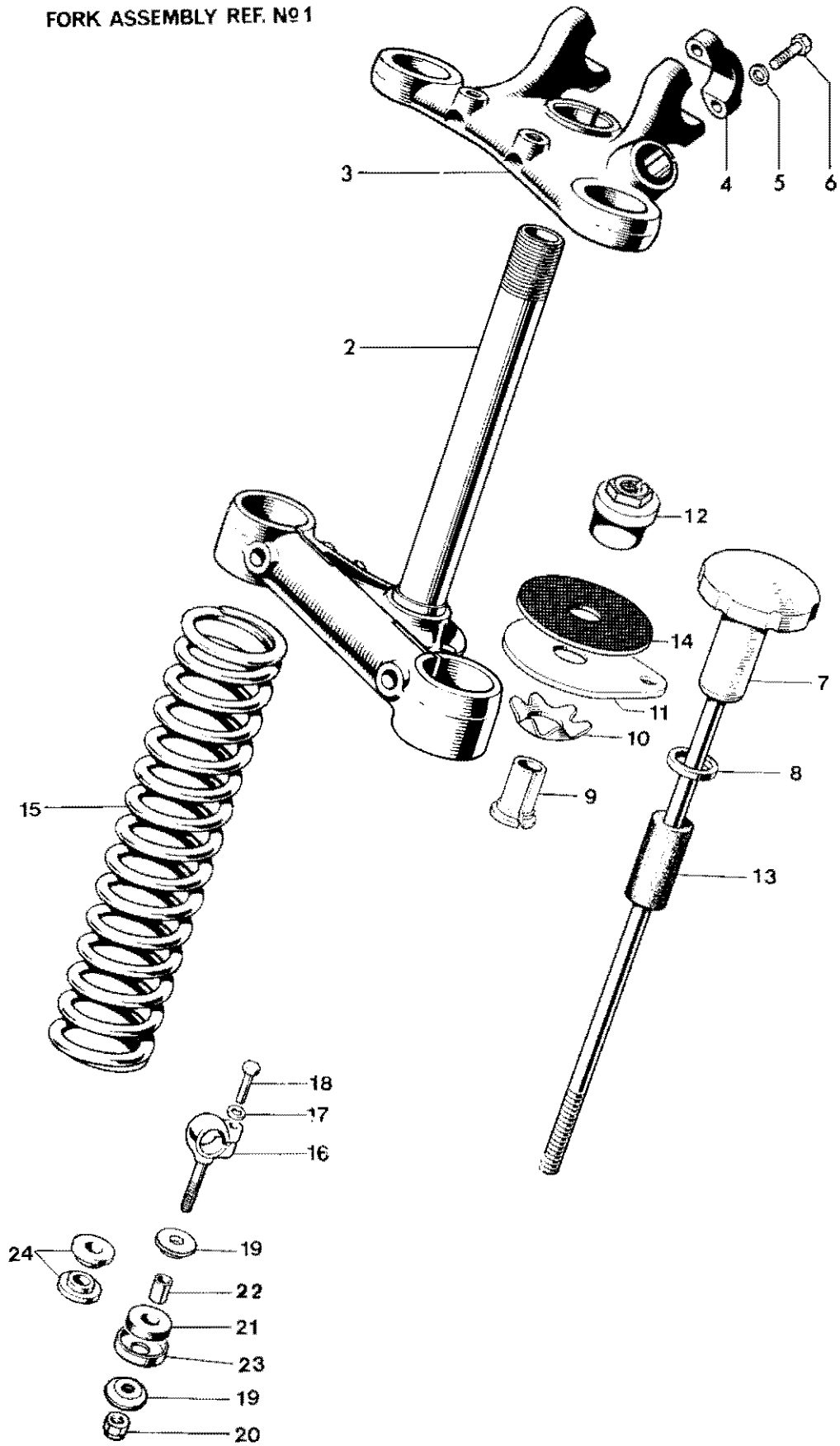


Fig. 18. TR6C FORK PARTS AND STEERING DAMPER



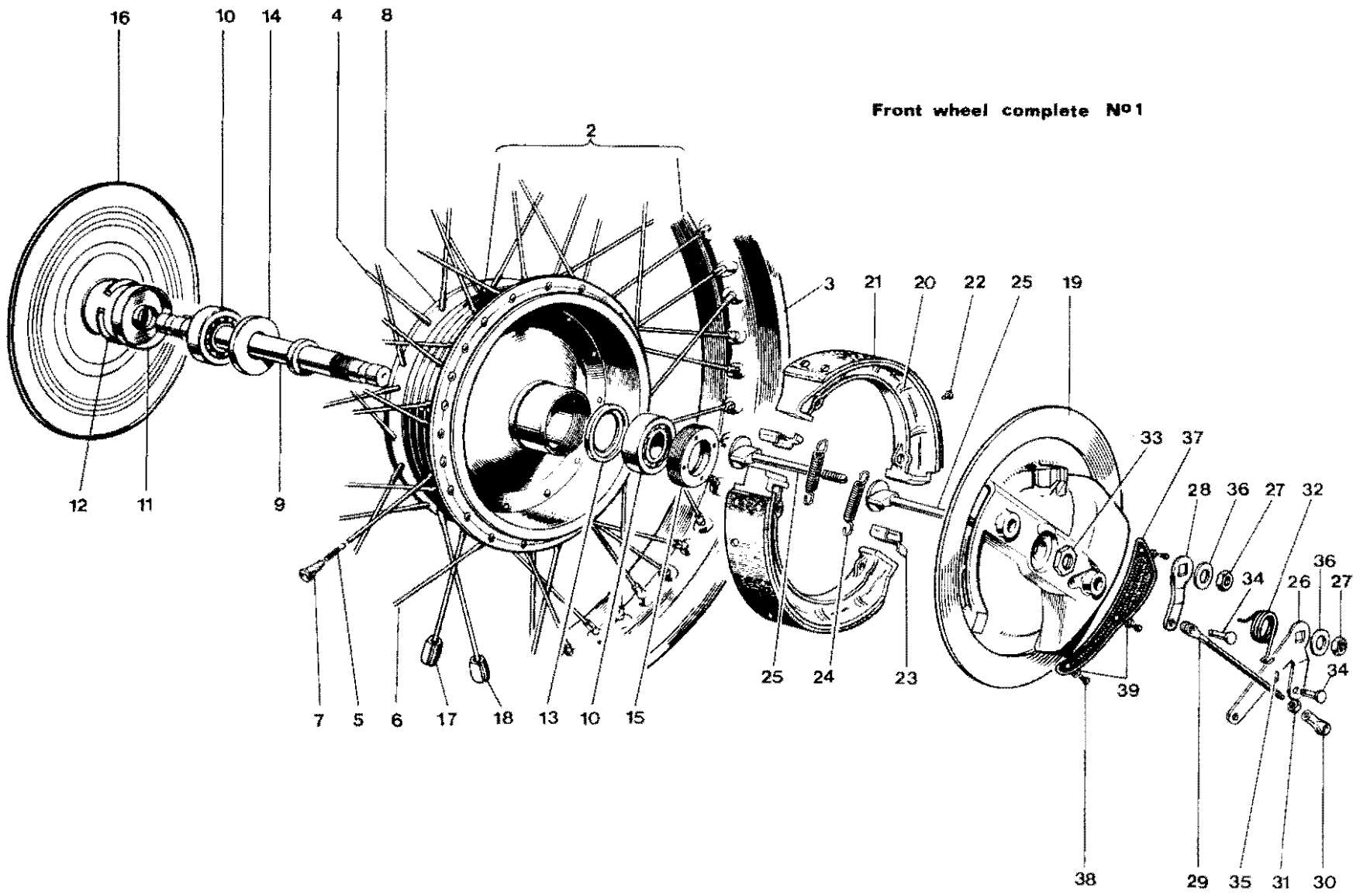
**TR6C FORK PARTS AND STEERING DAMPER**

1	H3657	FORK ASSEMBLY	1	
2	H2280	Middle lug and stem	1	
3	H3662	Top lug	1	
4	H722	Cap	2	
5	S25-3	Plain washer	4	
6	S589	Bolt (1 1/8 in. U.H.)	4	
7	H1142	Steering damper rod c/w knob	1	
8	H565	Plain washer	1	
9	H408	Adjuster sleeve	1	
10	H95	Spring plate	1	
11	H1797	Anchor plate	1	
12	H2108	Fork stem sleeve nut	1	
13	H1618	Rubber sleeve	1	
14	H435	Friction disc	1	
15	H1892	Main spring (yellow/green)	2	

All other parts are as listed on Page 45

**HANDLEBAR MOUNTINGS**

16	H2291	Handlebar eyebolt	2	} TR6R, T120R
17	F1335	Plain washer	2	
18	H1340	Bolt (1 1/8 in. U.H.)	2	
19	H1529	Hemispherical washer	4	
20	14-1903	Self-locking nut	2	
21	H1580	Steady rubber	2	
22	H1581	Distance piece	2	
23	H2221	Cup	2	} as required
24	H1616	Solid bush (for handlebar-mounted windscreen)	as required	



Front wheel complete N°1

Fig. 19. FRONT WHEEL

**FRONT WHEEL**

1	W3458	FRONT WHEEL COMPLETE	1	
2	W1721	RIM, SPOKES AND HUB ASSEMBLY	1	
3	W1230	Front wheel rim (WM2-19)	1	
4	W1328	Spoke (8/10G x 5 $\frac{5}{8}$ in. straight)	20	
5	W1708	Spoke (8/10G x 4 $\frac{3}{4}$ in. 78°)	10	
6	W1709	Spoke (8/10G x 4 $\frac{7}{8}$ in. 100°)	10	
7	S79-2	Spoke nipple	40	
8	W1693	Hub and brake drum	1	
9	W2057	Wheel spindle	1	
10	W653	Bearing	2	
11	W1237	Dust cover	1	
12	T280	Circlip	1	
13	W3337	Bearing support ring	1	
14	W1481	Grease retainer	1	
15	W582	Retaining ring	1	
16	W3460	Cover plate	1	
17	W1197	Balance weight, $\frac{1}{2}$ oz.		as required
18	W1198	Balance weight, 1 oz.		as required
19	W3462	Brake anchor plate	1	
20	W1996	BRAKE SHOE c/w LINING	2	
21	Reference only	Brake lining	2	
22	Reference only	Brass rivet	16	
23	W2026	Abutment pad	2	
24	W135	Shoe return spring	2	
25	W2001	Brake cam	2	
26	W3453	Brake cam lever (front)	1	
27	14-0302	Nut	2	
28	W3454	Brake cam lever (rear)	1	
29	W2003	Rod	1	
30	W2005	Fork end, threaded	1	
31	14-0401	Locknut	1	
32	W3522	Lever return spring	1	
33	W2058	Anchor plate nut	1	
34	WF32	Pivot pin	2	
35	—	Split pin	2	
36	W2027	Plain washer	2	
37	W1991	Anchor plate gauze (for air scoop)	1	
38	S650	Tapite screw	3	
39	F2351	Plain washer	3	

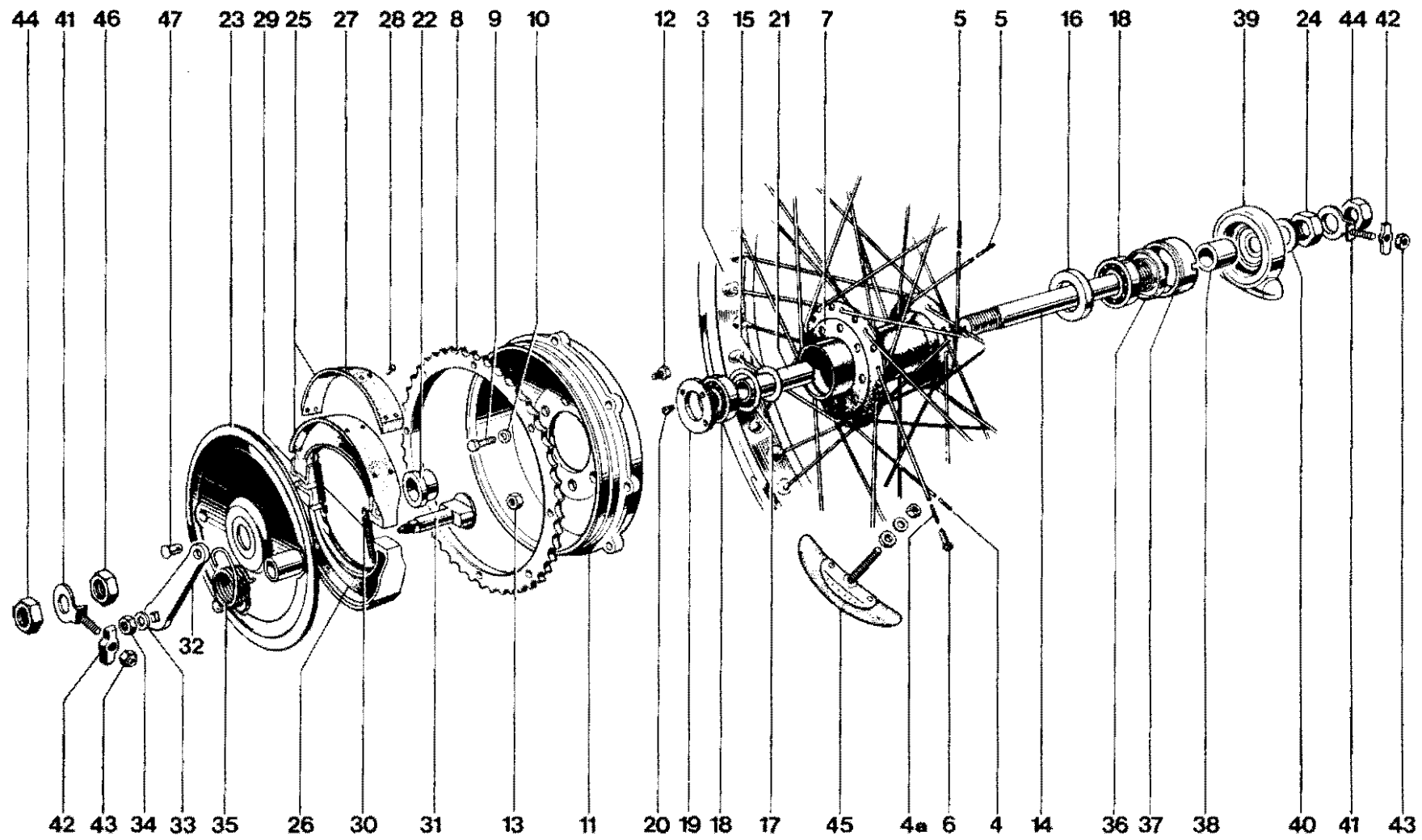


Fig. 20. REAR WHEEL

**REAR WHEEL**

1	W2102	REAR WHEEL COMPLETE ... ..	1	
2	W1486	RIM, SPOKES AND HUB ASSEMBLY ... ..	1	
3	W1007	Rear wheel rim WM3-18 ... ..	1	
4	W1107	Spoke (8/10G x 7 <sup>9</sup> / <sub>16</sub> in. 90°) ... ..	10	
4A	W3402	Spoke (8/10G x 7 <sup>9</sup> / <sub>16</sub> in. 110°) ... ..	10	
5	W1108	Spoke (8/10G x 7 <sup>7</sup> / <sub>8</sub> in. 90°) ... ..	20	
6	S79-2	Spoke nipple ... ..	40	
7	W1472	Hub ... ..	1	
8	W1499	Sprocket, 46T ... ..	1	
9	W1500	Bolt (1 <sup>3</sup> / <sub>8</sub> in. U.H.) ... ..	8	
10	E1612	Serrated washer ... ..	8	
11	W1498	Brake drum ... ..	1	
12	W1690	Bolt (1 <sup>1</sup> / <sub>8</sub> in. U.H.) ... ..	8	
13	W1691	Self locking nut ... ..	8	
14	W1281	Wheel spindle ... ..	1	
15	W1474	Grease retainer (brake side) ... ..	1	
16	W1654	Grease retainer ... ..	1	
17	W1022	Backing ring ... ..	1	
18	W653	Bearing ... ..	2	
19	W1021	RETAINING RING ... ..	1	
20	W1710	Locking screw (5 <sup>5</sup> / <sub>16</sub> in. U.H.) ... ..	1	
21	W1278	Distance tube ... ..	1	
22	W1024	Distance piece ... ..	1	
23	W1112	Brake anchor plate ... ..	1	
24	W3426	Nut ... ..	1	
25	W1406	LEADING BRAKE SHOE C/W LINING ... ..	1	
26	W1407	TRAILING BRAKE SHOE C/W LINING ... ..	1	
27	Reference only	Brake lining ... ..	2	} Not supplied separately
28	Reference only	Brass rivet ... ..	16	
29	W1415	Thrust pad ... ..	2	
30	W135	Shoe return spring ... ..	2	
31	W1083	Brake cam ... ..	1	
32	W2015	Brake cam lever ... ..	1	
33	S25-6	Plain washer ... ..	1	
34	S1-52	Nut ... ..	1	
35	W1090	Lever return spring ... ..	1	
36	W1635	Grease retainer ... ..	1	
37	W1476	Speedometer adaptor ... ..	1	
38	W1477	Distance piece ... ..	1	
39	D637	Speedometer gearbox ... ..	1	
40	W1280	Plain washer ... ..	1	
41	W2089	Chain adjuster ... ..	2	
42	W1015	Adjuster end plate ... ..	2	
43	14-1902	Self-locking nut ... ..	2	
44	F1747	Spindle nut ... ..	2	
45	WM3	Tire security bolt ... ..	2	
46	W3425	Nut inner D.S. ... ..	1	
47	W1467	Pivot pin ... ..	1	

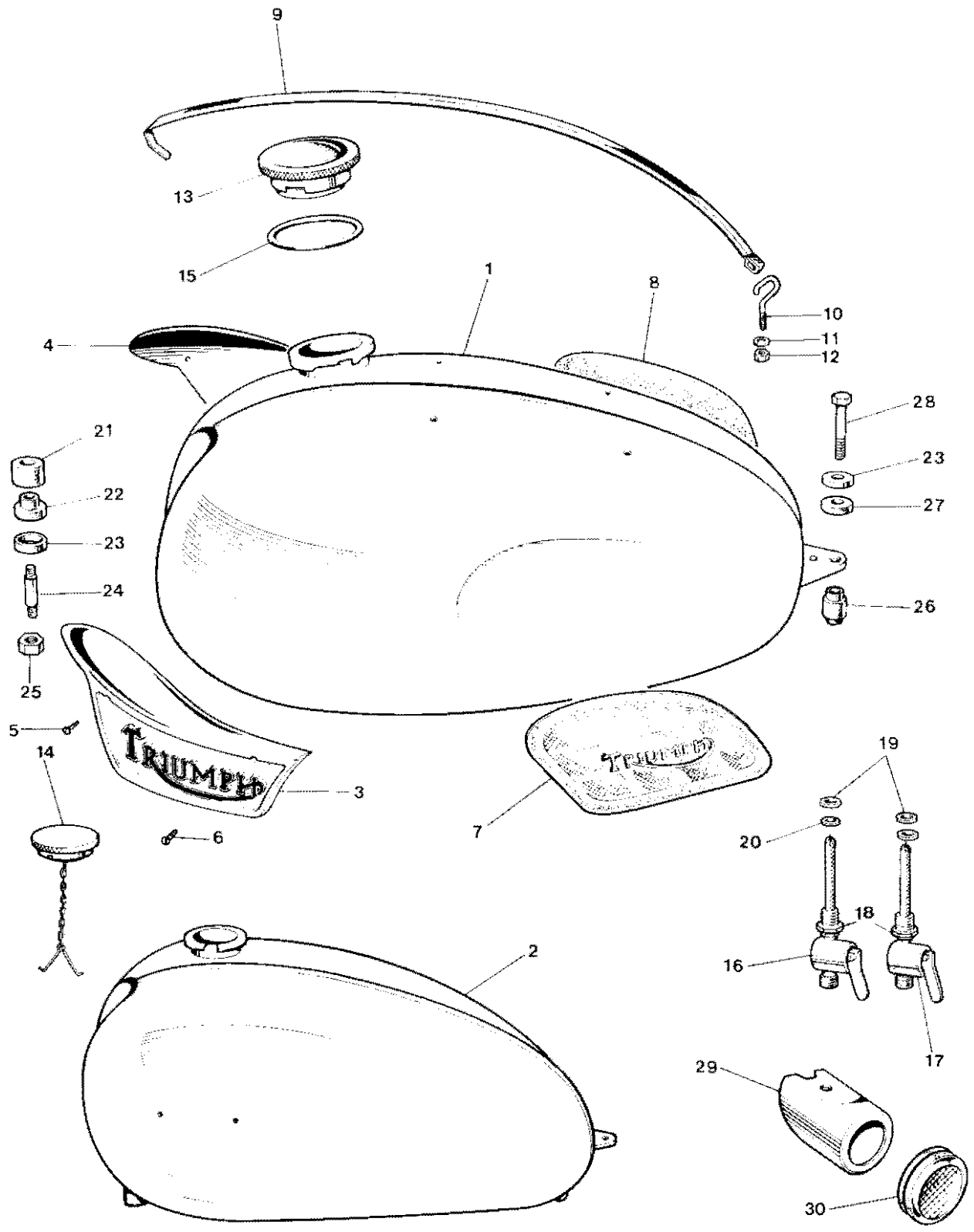


Fig. 22. GAS TANKS

**GAS TANKS**

1	F9706	Gas tank (3½ gallons) ... ..	1	TR6R
2	F9705	Gas tank (2½ gallons) ... ..	1	TR6C
2	F9207	Gas tank (2½ gallons) ... ..	1	T120R
3	F11340	Styling unit (left) ... ..	1	
4	F11341	Styling unit (right) ... ..	1	
5	F11339	Styling unit screw (front) ... ..	2	
6	F7888	Styling unit screw (rear) ... ..	2	
7	F8192	Left knee grip ... ..	1	
8	F8193	Right knee grip ... ..	1	
9	F10031	Centre styling strip ... ..	1	
10	F10008	Hook screw ... ..	1	
11	F4019	Serrated washer ... ..	1	
12	H919	Nut ... ..	1	
13	F3220	FILLER CAP ... ..	1	
14	F3219	FILLER CAP c/w CHAIN ... ..	1	TR6C
15	F4048	Joint washer ... ..	1	
16	F4971	Petrol tap (left) ... ..	1	
17	F4972	Petrol tap with reserve tube ... ..	1	
18	F10006	Petrol tap nut ... ..	2	
19	E7351	Petrol tap seal ... ..	2	
20	F10002	Steel washer ... ..	2	
21	F5228	Rubber washer ... ..	2	
22	F5229	Spigot rubber ... ..	2	
23	F3814	Cup ... ..	3	
24	S1883	Shouldered stud ... ..	2	
25	14-1302	Nut ... ..	2	
26	F5336	Double spigot rubber ... ..	1	
27	F967	Rubber washer ... ..	1	
28	F7388	Bolt (1½ in. U.H.) ... ..	1	
29	F8194	Reflector bracket ... ..	2	
30	99-	Reflector, Amber (57161) ... ..	2	
—	D2026	Decal—Bonneville ... ..	1	
—	D2027	Decal—Trophy 650 ... ..	1	TR6C
—	D678	Decal—Trophy Sports ... ..	1	TR6R
—	A61	Decal—Made in England ... ..	1	

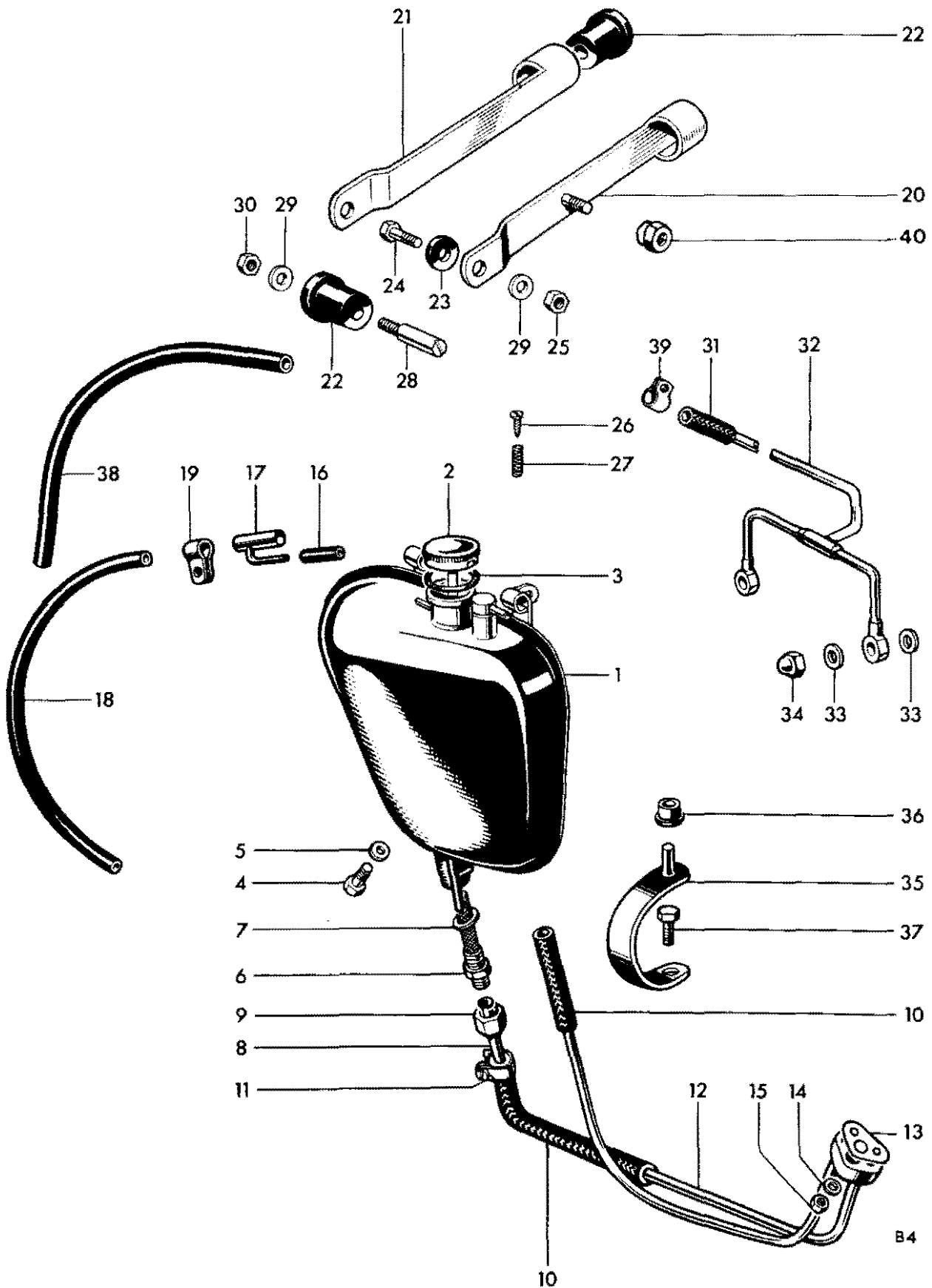


Fig. 23. OIL TANK



Ref. No.	Part No.	DESCRIPTION	QUANTITY	REMARKS
<b>OIL TANK</b>				
1	F7836	Oil tank ... ..	1	
2	F9659	FILLER CAP ... ..	1	
3	F4047	Joint washer ... ..	1	
4	F5343	Drain plug ... ..	1	
5	PT104B	Fibre washer ... ..	1	
6	F3179	Oil tank filter ... ..	1	
7	F1713	Fibre washer ... ..	1	
8	F3655	Upper feed pipe ... ..	1	
9	F3182	Union nut ... ..	1	
10	E4594	Flexible connector ... ..	2	
11	E6848	Clip ... ..	4	
12	E6930	Oil pipes and junction block ... ..	1	
13	E3763	Joint washer ... ..	1	
14	E3446	Plain washer ... ..	1	
15	E1310	Nut ... ..	1	
16	E6356	Vent pipe ... ..	1	
17	E5370	"T" piece ... ..	1	
18	F7353	Extension pipe ... ..	1	
19	F3098	Clip ... ..	2	
20	F9255	Front strap ... ..	1	
21	F8028	Rear Strap ... ..	1	
22	F6673	Spigot rubber ... ..	4	
23	F6968	Rubber washer ... ..	2	
24	14-0301	Bolt ( $\frac{3}{4}$ in. U.H.) ... ..	2	
25	14-0701	Self locking nut ... ..	2	
26	F6511	Metering screw ... ..	1	
27	F6874	Coil spring ... ..	1	
28	F7510	Screwed peg ... ..	2	
29	S25-13	Plain washer ... ..	4	
30	F879	Nut ... ..	2	
31	E6353	Rubber connector ... ..	1	
32	E6349	Rocker oil feed pipe ... ..	1	
33	E1335	Copper washer ... ..	4	
34	E1435	Domed nut ... ..	2	
35	F6147	Bracket ... ..	1	
36	F6039	Grommet ... ..	1	
37	S1822	Bolt ( $\frac{1}{2}$ in. U.H.) ... ..	1	
38	F7352	Flexible pipe ... ..	1	
39	E6849	Clip ... ..	1	
40	F8034	Sleeve nut ... ..	1	
—	D1918	Grouped transfer "Drain and refill" etc. ... ..	1	Not illustrated

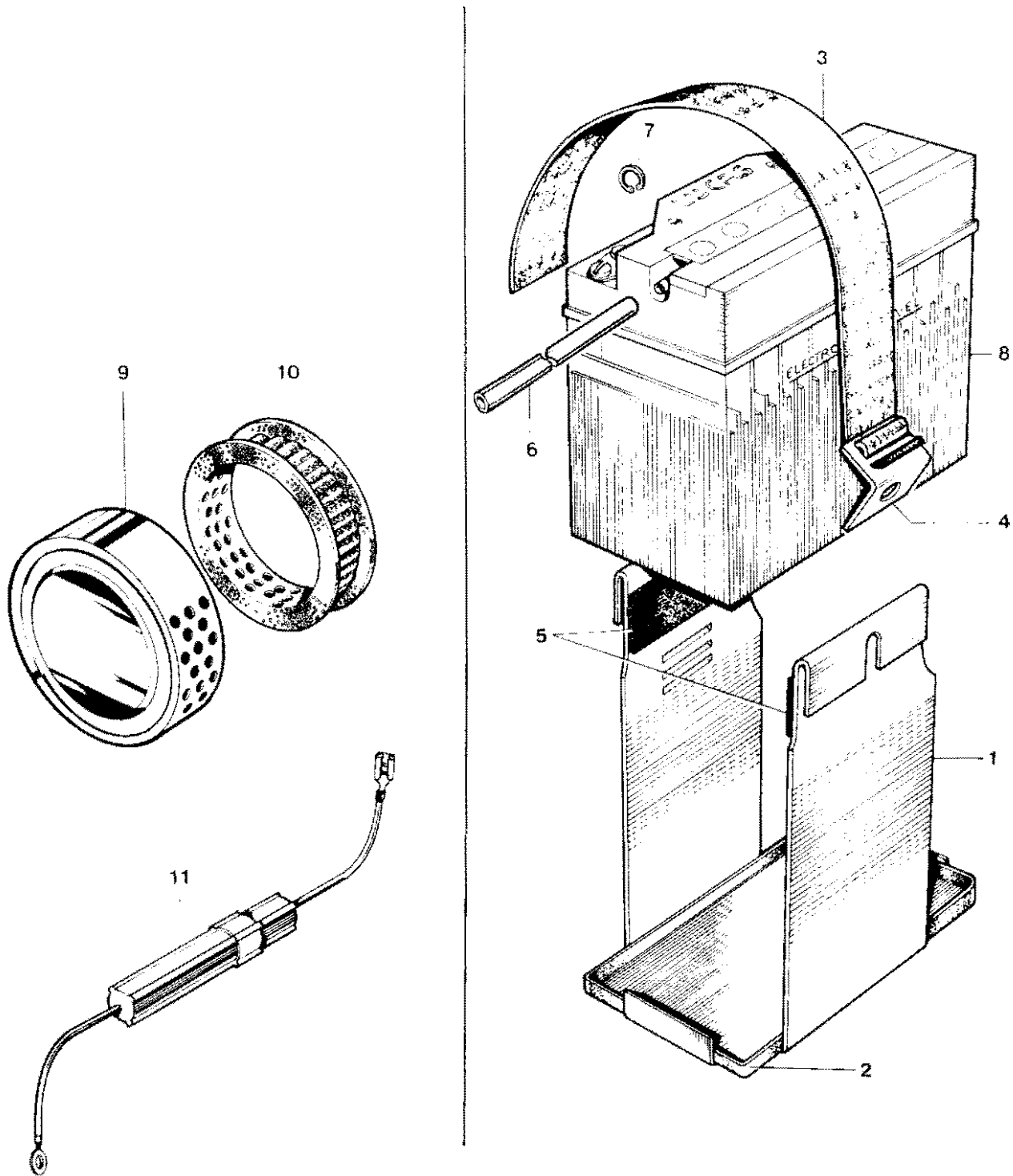


Fig. 24. BATTERY CARRIER AND AIR FILTERS

**BATTERY CARRIER AND AIR FILTERS**

1	F8024	Battery carrier	1	
2	F8091	Battery carrier rubber tray	1	
3	F8033	Battery carrier strap	1	
4	F8032	Battery strap anchorage	1	
5	F8031	Battery carrier rubber strip	1	
—	A52	Transfer positive earth	1	
6	F7431	Vent pipe	1	
7	F7892	Circlip, vent pipe	1	
8	99-0719	Battery (PUZ5A) 54027029	1	
9	F8018	AIR CLEANER	1	} TR6R, TR6C
10	F5764	Air cleaner element (filter cloth & gauze)	1	
9	F8196	AIR CLEANER	1	} T120R
10	F5764	Air cleaner element (filter cloth & gauze)	1	
11	54938986	Fuse assembly		Reference only
—	F4810	Clip for air cleaner cover	1	Not illustrated

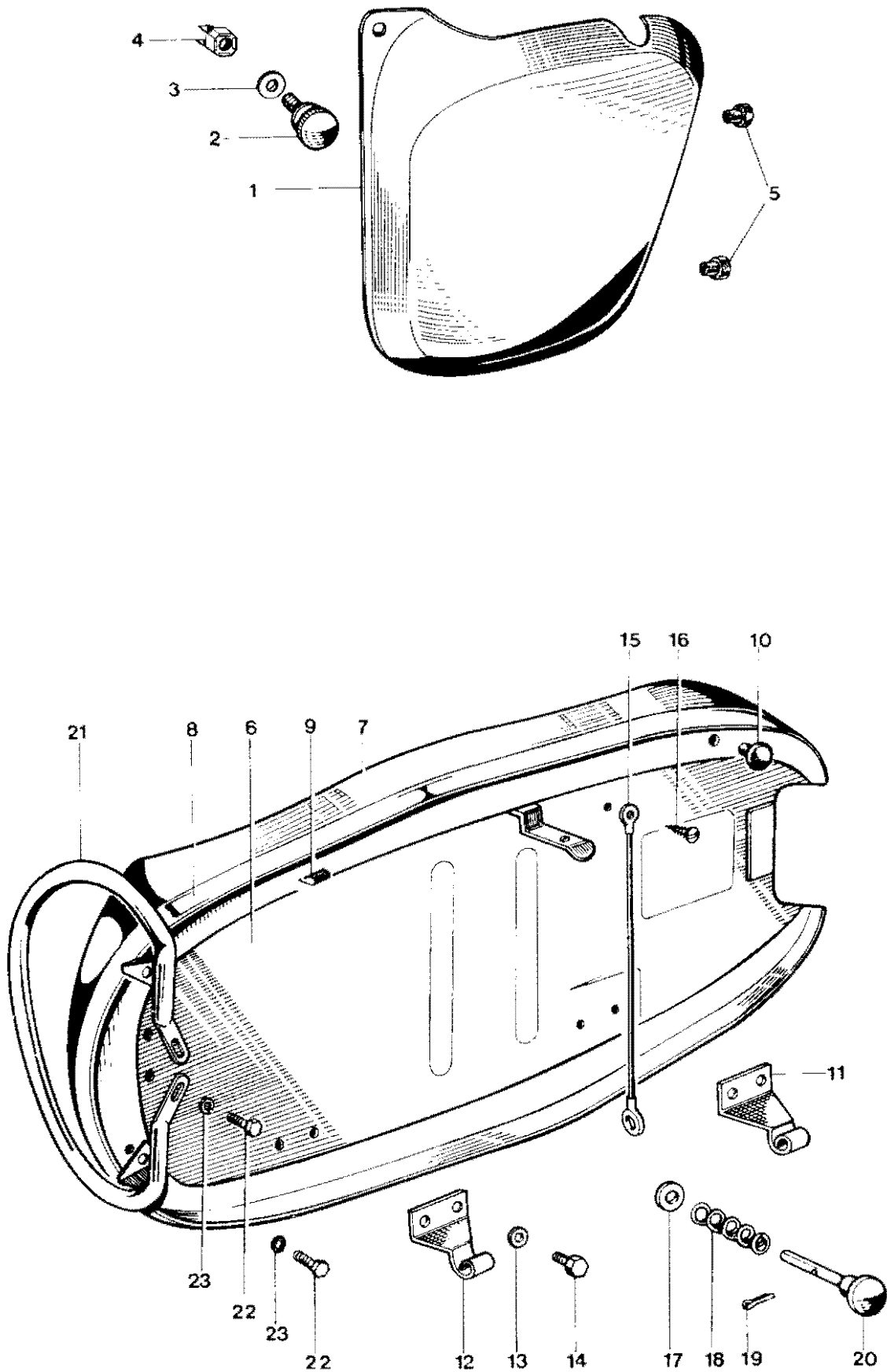


Fig. 24. PANEL AND TWINSEAT

**PANEL AND TWINSEAT**

1	F8042	Side panel and toolbox	1	
—	D2025	Decal—TIGER 650	1	} Not } illus- } trated
—	D2027	Decal—TROPHY 650	1	
—	D2026	Decal—BONNEVILLE	1	
2	F11357	Panel knob	1	
3	F11377	Washer	1	
4	F10222	Panel nut	1	
5	F6673	Panel grommet	1	
6	F9714	TWINSEAT	1	
7	F9715	Twinseat cover	1	
8	D696	Trim strip	1	
9	D697	Trim strip sprag	4	
10	F7835	Rubber buffer	1	
11	F8026	Hinge—front	1	
12	F7862	Hinge—rear	1	
13	S26-2	Spring washer	4	
14	14-0101	Bolt ( $\frac{1}{2}$ in. U.H.)	4	
15	D374	Check wire	1	
16	F4483	Self tapping screw	1	
17	E1719A	Washer	1	
18	F4228	Spring	1	
19	$\frac{3}{8}$ in. x $\frac{1}{2}$ in.	Split pin	1	
20	F7560	Seat catch plunger	1	
21	F9498	Seat rail	1	
22	14-0102	Bolt ( $\frac{5}{8}$ in. U.H.)	4	
23	S26-2	Spring washer	4	

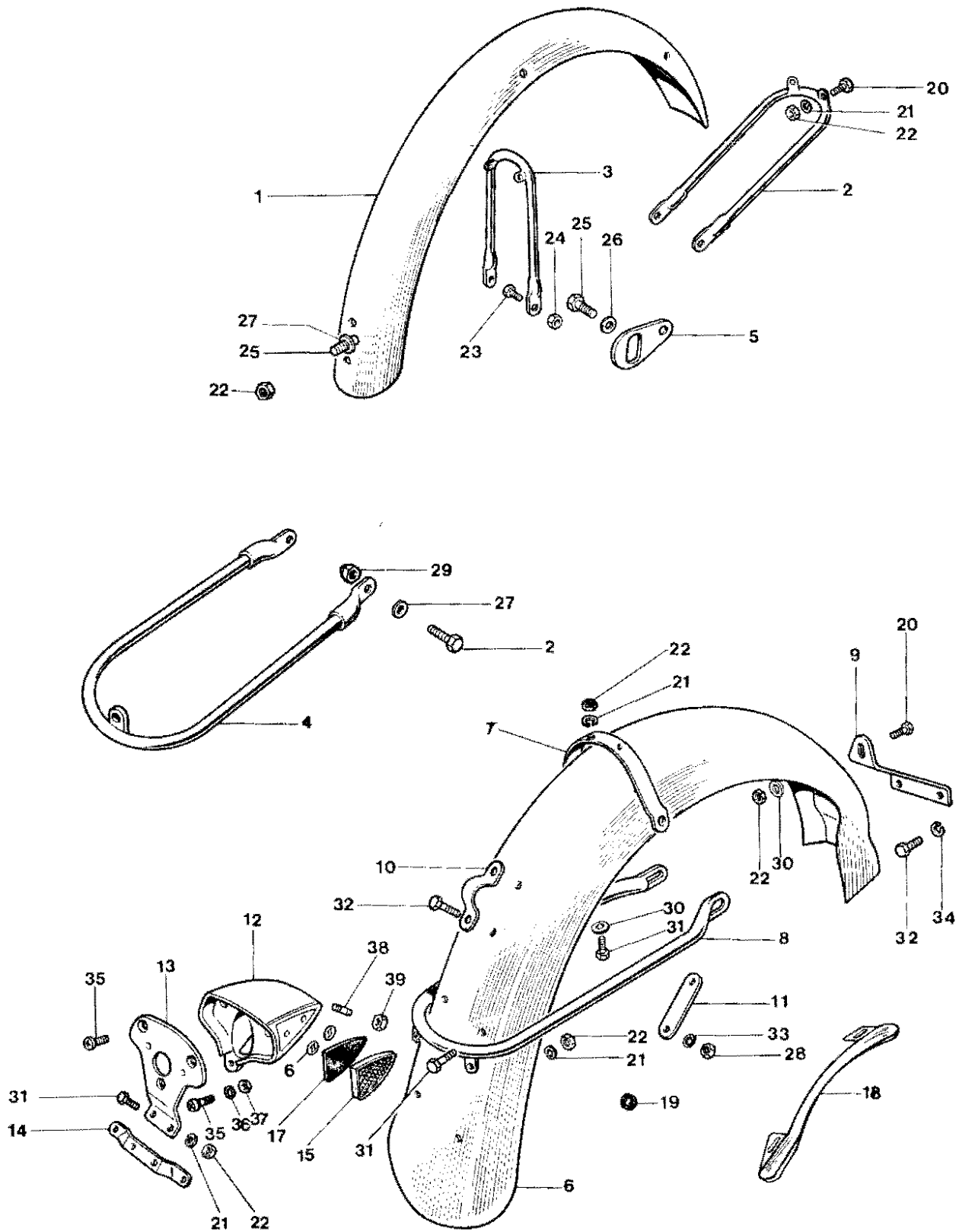


Fig. 26. FENDERS

Ref. No.	Part No.	DESCRIPTION	QUANTITY	REMARKS
<b>F E N D E R S</b>				
1	H3677	Front fender (painted) ... ..	1	T120R, TR6R
1	H1996	Front fender (stainless steel) ... ..	1	TR6C
2	H1681	Front stay ... ..	1	TR6C
2	H3663	Front stay ... ..	1	TR6R, T120R
3	H1683	Centre stay ... ..	1	TR6C
3	H3664	Centre stay ... ..	1	TR6R, T120R
4	H3668	Bottom stay ... ..	1	TR6R, T120R
4	H3683	Bottom stay ... ..	1	TR6C
5	H1685	Bracket ... ..	2	
6	F8143	Rear fender ... ..	1	TR6C
6	F8144	Rear fender ... ..	1	TR6R, T120R
7	F6915	Bridge ... ..	1	
8	F7860	Lifting handle ... ..	1	
9	F6851	Bracket ... ..	1	
10	F5994	Clip ... ..	1	
11	F6031	Backing plate ... ..	1	
12	F8139	Tail lamp adaptor ... ..	1	
13	F6849	Tail lamp plate ... ..	1	
14	F6850	Number plate bracket ... ..	1	
15	99-1030	Reflector red (57111) ... ..	2	
16	F8195	Push fix ... ..	4	
17	F8140	Rubber mat ... ..	2	
18	F7826	Wiring protector ... ..	1	
19	199001	Tail lamp lead grommet ... ..		Reference only
20	14-0101	Bolt ( $\frac{7}{16}$ in. U.H.) ... ..	5	
21	S25-1	Plain washer ... ..	12	
22	14-1201	Nut ... ..	13	
23	14-0115	Bolt ( $\frac{5}{16}$ in. U.H.) ... ..	4	
24	14-0402	Nut ... ..	2	
25	S1822	Bolt ( $\frac{1}{2}$ in. U.H.) ... ..	3	
26	F4299	Plain washer ... ..	2	
27	S25-3	Washer ... ..	3	
28	14-0302	Nut ... ..	3	
29	14-0702	Self-locking nut ... ..	2	
30	F6310	Plain washer ... ..	3	
31	14-0102	Bolt ( $\frac{5}{8}$ in. U.H.) ... ..	12	
32	14-0113	Bolt ( $\frac{9}{16}$ in. U.H.) ... ..	4	
33	E2287	Spring washer ... ..	2	
34	S26-3	Spring washer ... ..	2	
35	F4715	Screw ... ..	3	
36	GS299	Washer ... ..	1	
37	F3799	Nut ... ..	1	
38	E2980	Stud ( $\frac{15}{16}$ in. O.A.) ... ..	1	
39	F879	Nut ... ..	1	

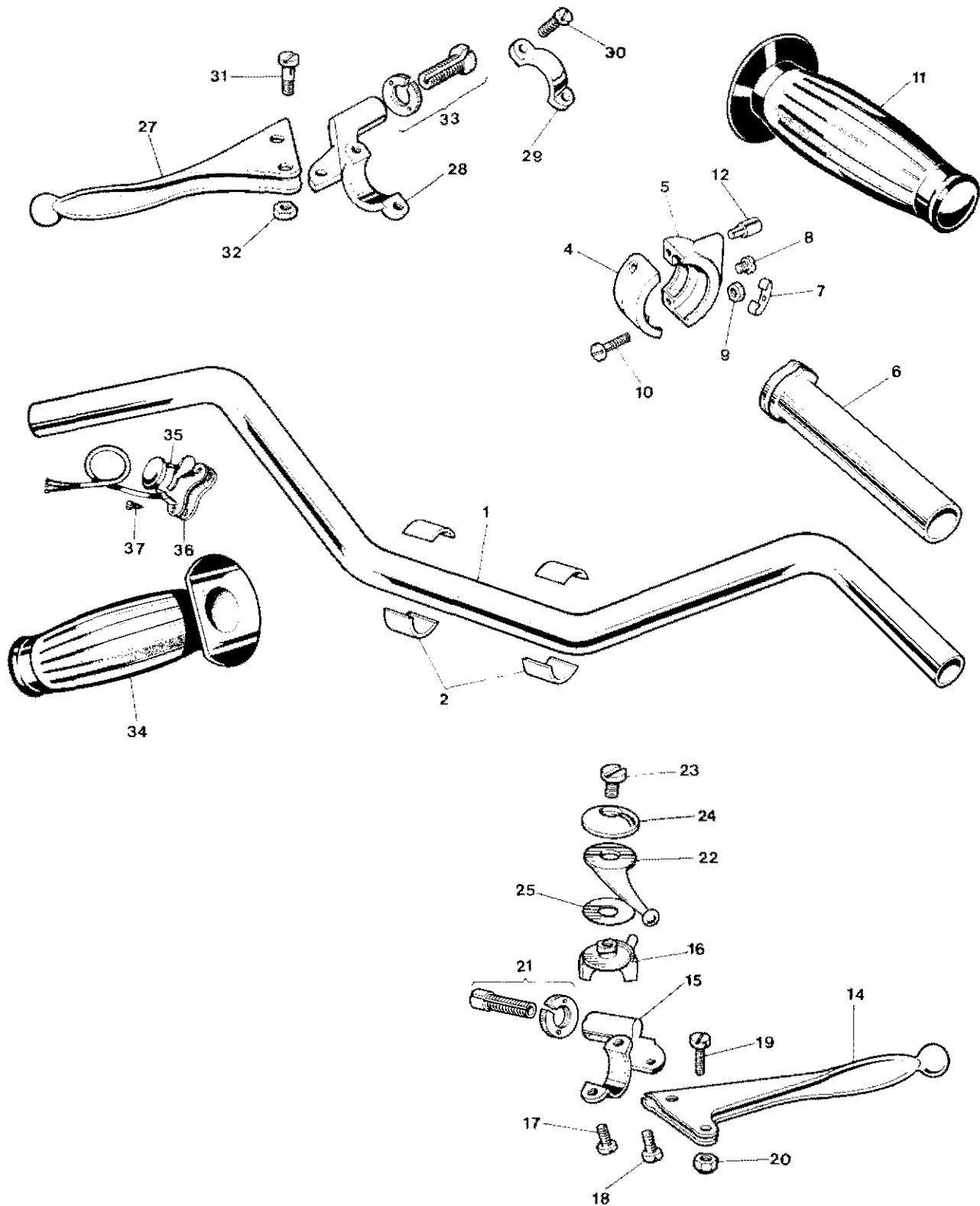


Fig. 27. HANDLEBARS AND CONTROL LEVERS



**HANDLEBARS AND CONTROL LEVERS (SEE ALSO PAGE 65)**

1	H1870	Handlebar ... ..	1	TR6R, T120R
2	H1425	Packing piece ... ..	4	TR6R, T120R
3	99-0248	TWISTGRIP (16/364) ... ..	1	TR6C, TR6R
4	99-0245	Body top half (16/328) ... ..	1	
5	99-0246	Body bottom half (16/329) ... ..	1	
6	99-0244	Rotor (16/091) ... ..	1	
7	99-0238	Friction spring (16/008) ... ..	1	
8	99-0239	Friction spring screw (16/009) ... ..	1	
9	99-0240	Locknut (16/010) ... ..	1	
10	99-0225	Screw (11/013) ... ..	2	
11	Reference only	Grip ... ..	1	
12	99-0241	Cable stop (16/011) ... ..	1	
13	D2073	FRONT BRAKE AND AIR LEVER ASSEMBLY (18/978) ... ..	1	
14	99-0262	Brake lever (ball end) (18/754) ... ..	1	
15	99-0266	Lever bracket (18/776) ... ..	1	
16	99-0234	Control body (12/619) ... ..	1	
17	99-0226	Screw (11/014) ... ..	1	
18	99-0225	Screw (11/013) ... ..	1	
19	99-0252	Fulcrum screw (18/087) ... ..	1	
20	99-0250	Self locking nut (18/053) ... ..	1	
21	99-1031	Cable adjuster and nut (18/1708/1709) ... ..	1	
22	99-0228	Lever (12/556) ... ..	1	
23	12/607	Bolt ... ..	1	
24	12/606	Cap ... ..	1	
25	12/033	Spring washer ... ..	1	
26	D2074	CLUTCH LEVER ASSEMBLY 18/952 ... ..	1	
27	99-0261	Clutch lever (ball end) (18/752) ... ..	1	
28	99-0265	Clutch lever bracket (18/773) ... ..	1	
29	99-0230	Clamp (12/595) ... ..	1	
30	99-0226	Screw (11/014) ... ..	2	
31	99-0252	Fulcrum screw (18/087) ... ..	1	
32	99-0250	Self locking nut (18/053) ... ..	1	
33	99-1031	Cable adjuster and nut (18/1708/1709) ... ..	1	
34	Reference only	Handlebar grip ... ..	1	
35	99-0555	Horn push and dip switch (31563) ... ..	1	
36	99-0630	Backing rubber (380459) ... ..	1	
37	H1994	Self-tapping screw (a in. U.H.) ... ..	2	

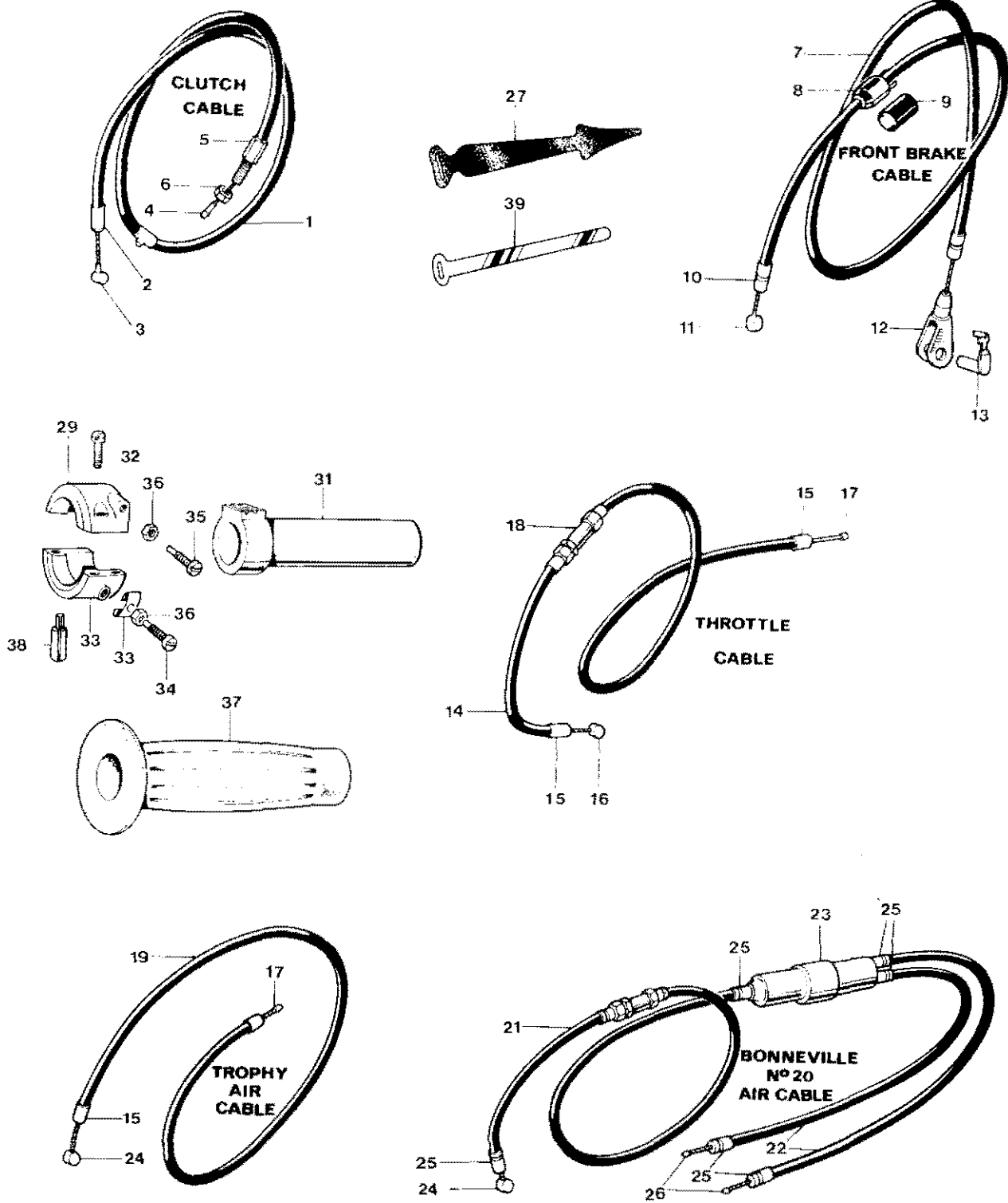


Fig. 28. CONTROL CABLES

**CONTROL CABLES AND T120R TWISTGRIP**

1	D1993	CLUTCH CABLE	1	
2	D103	Ferrule	2	
3	D506	Nipple (Handlebar end)	1	
4	DS73	Nipple	1	
5	D668	Adjuster	1	
6	S672	Nut	1	
7	D2076	FRONT BRAKE CABLE	1	
8	D2085	Front stop switch	1	
9	D2086	Cover for switch	1	
10	D103	Ferrule	2	
11	D506	Nipple (Handlebar end)	1	
12	D638	Fork end	1	
13	W2006	Pivot pin (spring-fix)	1	
14	D746	THROTTLE CABLE	1	TR6R, TR6C
14	D1819	THROTTLE CABLE	1	T120R
15	D101	Ferrule	8	
16	D83	Nipple	1	
17	NS191	Nipple	1	
18	D104	Adjuster	1	
19	D747	AIR CONTROL CABLE	1	TR6, TR6C
20	D1817	AIR CABLE ASSEMBLY	1	T120
21	D1818	Lever cable	1	
22	D684	Carburetter cable	2	
23	99-0341	Junction box (244/104)	1	
24	D83	Nipple (Handlebar end)	1	
25	D101	Ferrule	6	
26	NS191	Nipple	3	
27	D343/7	Clip, rubber	as required	
28	99-0351	TWIN ROTOR TWISTGRIP (313/13)	1	T120R
29	99-0345	Body top half (313/008)	1	
30	99-0346	Body bottom half (313/009)	1	
31	99-0347	Rotor (313/013)	1	
32	99-0220	Bolt (4/048)	2	
33	99-0238	Friction spring (16/008)	1	
34	99-0337	Adjuster screw (210/007)	1	
35	99-0338	Rotor stop (210/008)	1	
36	99-0339	Nut (210/009)	2	
37	H2125	Grip	1	
38	99-0241	Cable stop (16/011)	2	
39	XA69	Cable clip (metal)	as required	

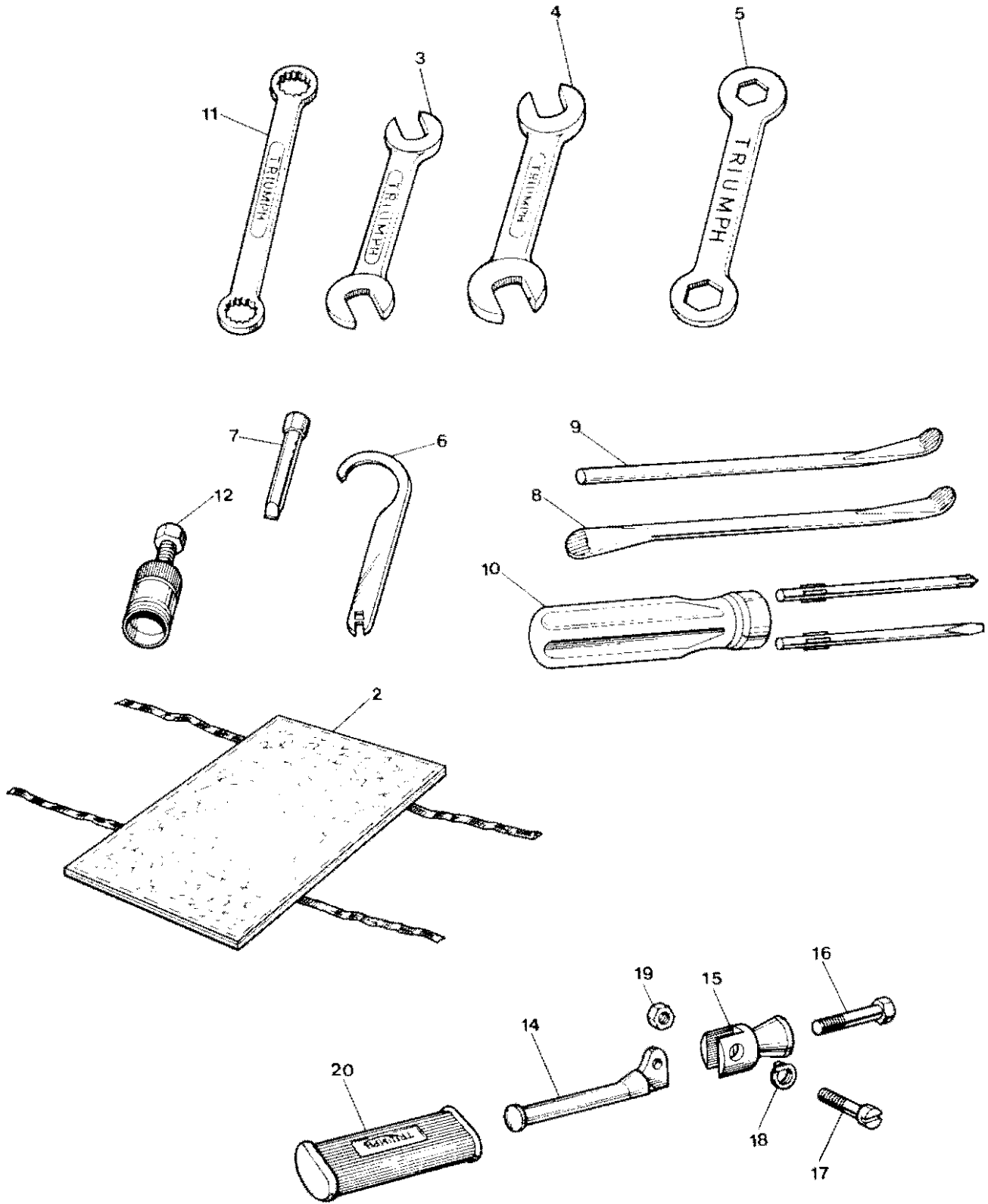


Fig. 29. TOOLKIT AND PILLION FOOTRESTS

**TOOLKIT AND PILLION FOOTRESTS**

1	D2109	TOOLKIT COMPLETE	1	
2	D291	Tool roll	1	
3	D2084	Open spanner $\frac{1}{4} \times \frac{5}{16}$ in. Whit.	1	
4	DA16	Open spanner $\frac{3}{8} \times \frac{7}{16}$ in. Whit.	1	
5	DA311	Ring spanner $\frac{5}{8} \times \frac{11}{16}$ in. Whit.	1	
6	D362	"C" spanner and tappet key	1	
7	D2108	Screwdriver for chain tensioner	1	
8	NA14A	Tyre lever	1	
9	D801	Tyre lever and tommy bar	1	
10	D767	Screwdriver	1	
11	D370	Ring spanner $\frac{3}{16} \times \frac{1}{4}$ in. Whit.	1	
12	D662/3	Clutch hub extractor	As required	
13	F9369	PILLION FOOTREST	2	
14	F1694	Pedal	2	
15	F9370	Hanger	2	
16	S1910	Bolt ( $\frac{13}{16}$ in. U.H.)	2	
17	F9371	Pivot bolt	2	
18	F2277	Thrackeray (spring) washer	2	
19	14-0302	Nut	2	
20	F1695	Pedal rubber	2	

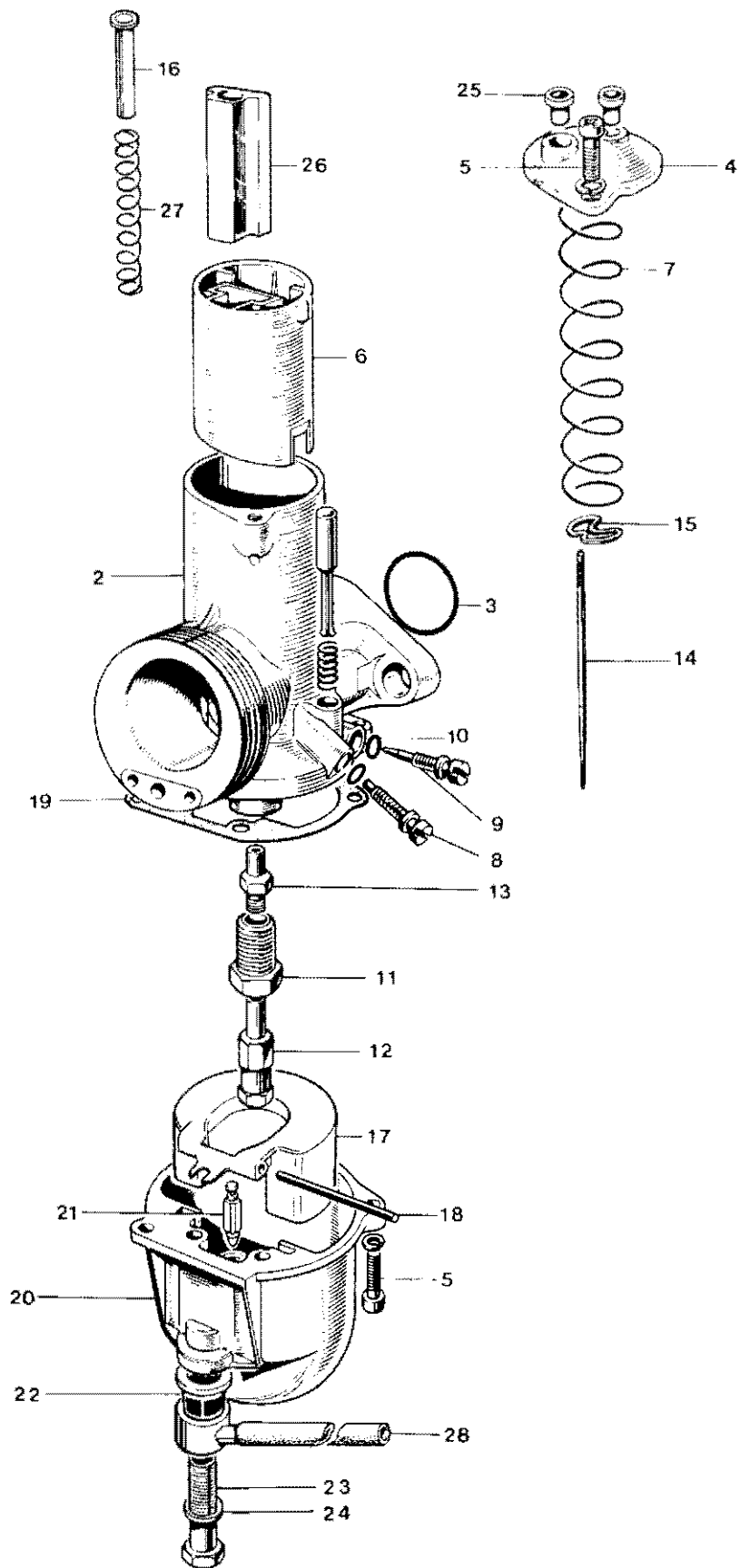


Fig. 30. AMAL CARBURETTER, TR6R TR6C

**AMAL CARBURETTER TR6R, TR6C**

1	D770	CARBURETTER (R930/23)	1	
2	Reference only	Mixing chamber	1	
3	99-0552	"O" ring seal (622/101)	1	
4	99-1032	Mixing chamber top (928/098)	1	
5	99-0521	Screw (622/086)	4	
6	99-0527	Throttle valve (4 cutaway) (928/060)	1	
7	99-1033	Throttle return spring (622/131)	1	
8	99-0516	Throttle stop screw (622/077)	1	
9	99-0515	Air adjusting screw (622/076)	1	
10	99-0520	"O" ring (622/082)	2	
11	99-1034	Jet holder (622/128)	1	
12	99-0441	Main jet (230) (376/100)	1	
13	99-1035	Needle jet (0.107) (622/122)	1	
14	99-1036	Needle (622/124)	1	
15	99-0510	Needle clip (622/067)	1	
16	99-1037	Air valve guide sleeve (928/103)	1	
17	99-0512	Float (622/069)	1	
18	99-0513	Float spindle (622/071)	1	
19	99-0514	Joint washer (622/073)	1	
20	99-0506	Float chamber (622/050)	1	
21	99-0511	Needle (622/068)	1	
22	99-0438	Filter (376/093)	1	
23	99-0517	Banjo bolt (622/078)	1	
24	99-0437	Fibre washer (376/092)	1	
25	6/132A	Cable ferrule	2	
26	99-0528	Air slide (928/062)	1	
27	99-1038	Spring (622/129)	1	
28	F9271	Petrol pipe	1	

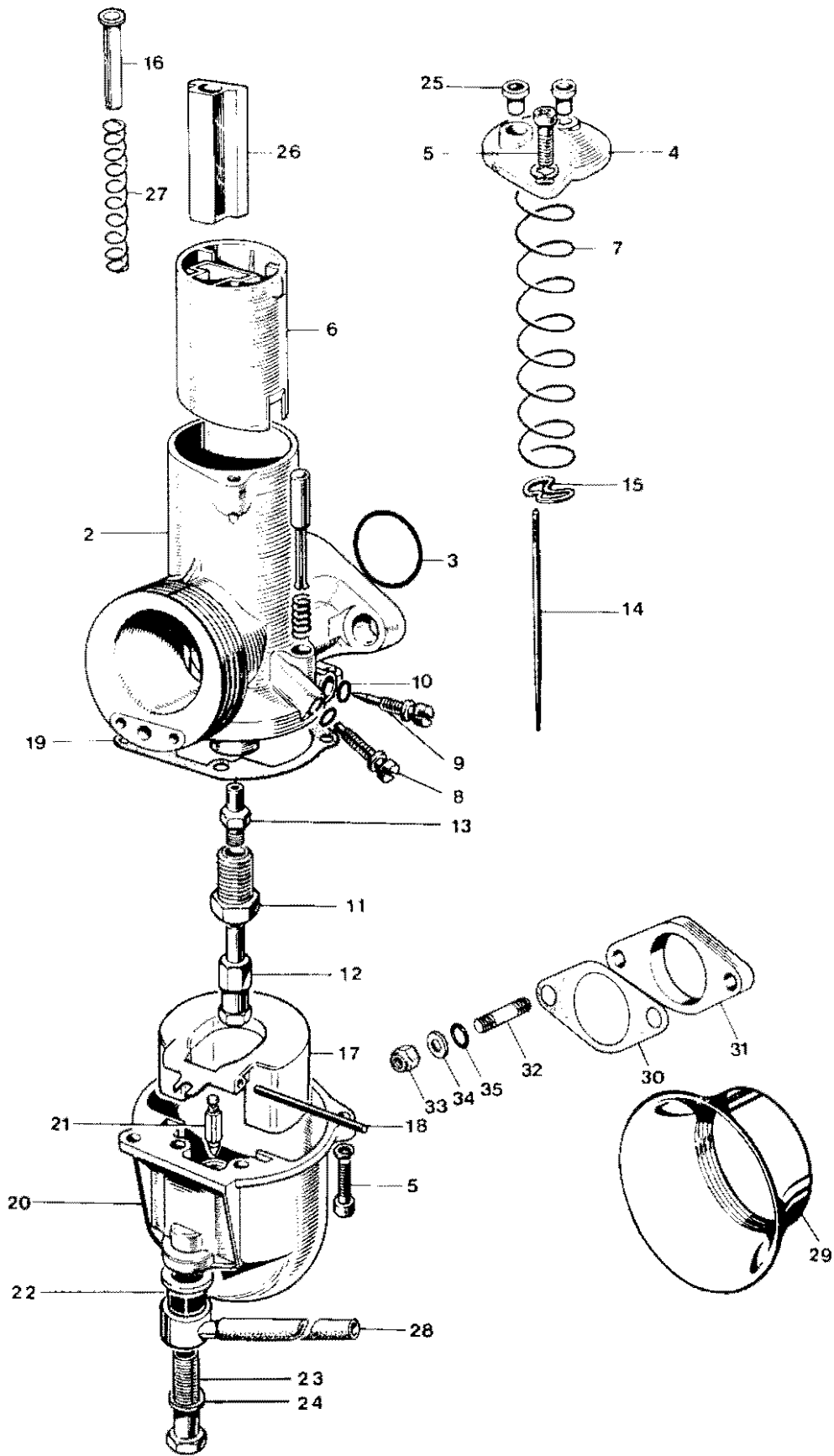


Fig. 31. AMAL CARBURETTER, T120R



**AMAL CARBURETTER T120R**

1	D771	CARBURETTER—L.H. (L930/10) ... ..	1	
1	D772	CARBURETTER—R.H. (R930/9) ... ..	1	
2	Reference only	Mixing chamber ... ..	2	
3	99-0552	"O" ring seal (622/101) ... ..	2	
4	99-1032	Mixing chamber top (928/098) ... ..	2	
5	99-0521	Screw (622/086) ... ..	8	
6	99-0527	Throttle valve (3 cutaway) (928/060) ... ..	2	
7	99-1033	Throttle return spring (622/131) ... ..	2	
8	99-0516	Throttle stop screw (622/077) ... ..	2	
9	99-0515	Air adjusting screw (622/076) ... ..	2	
10	99-0520	"O" ring (622/082) ... ..	4	
11	99-1034	Jet holder (622/128) ... ..	2	
12	99-0441	Main jet (220) (376/100) ... ..	2	
13	99-1035	Needle jet (0.107) (622/122) ... ..	2	
14	99-1036	Needle (622/124) ... ..	2	
15	99-0510	Needle clip (622/067) ... ..	2	
16	99-1037	Air valve guide sleeve (928/103) ... ..	2	
17	99-0512	Float (622/069) ... ..	2	
18	99-0513	Float spindle (622/071) ... ..	2	
19	99-0514	Joint washer (622/073) ... ..	2	
20	99-0506	Float chamber (622/050) ... ..	2	
21	99-0511	Needle (622/068) ... ..	2	
22	99-0438	Filter (376/093) ... ..	2	
23	99-0517	Banjo bolt (622/078) ... ..	2	
24	99-0437	Fibre washer (376/092) ... ..	2	
25	6/132A	Cable ferrule ... ..	2	
26	99-0528	Air slide (928/062) ... ..	2	
27	99-1038	Spring (622/129) ... ..	2	
28	F8133	Petrol pipe ... ..	1	
29	99-0530	Air intake tube (928/066) ... ..	Available	
30	NA43A	Joint washer ... ..	1	
31	E2968	Insulating block ... ..	1	
32	Reference only	Stude 1 in. ... ..	4	
33	S1932	Self-lock nut ... ..	4	
34	E9555	Cup ... ..	4	
35	E9554	Insulating ring ... ..	4	

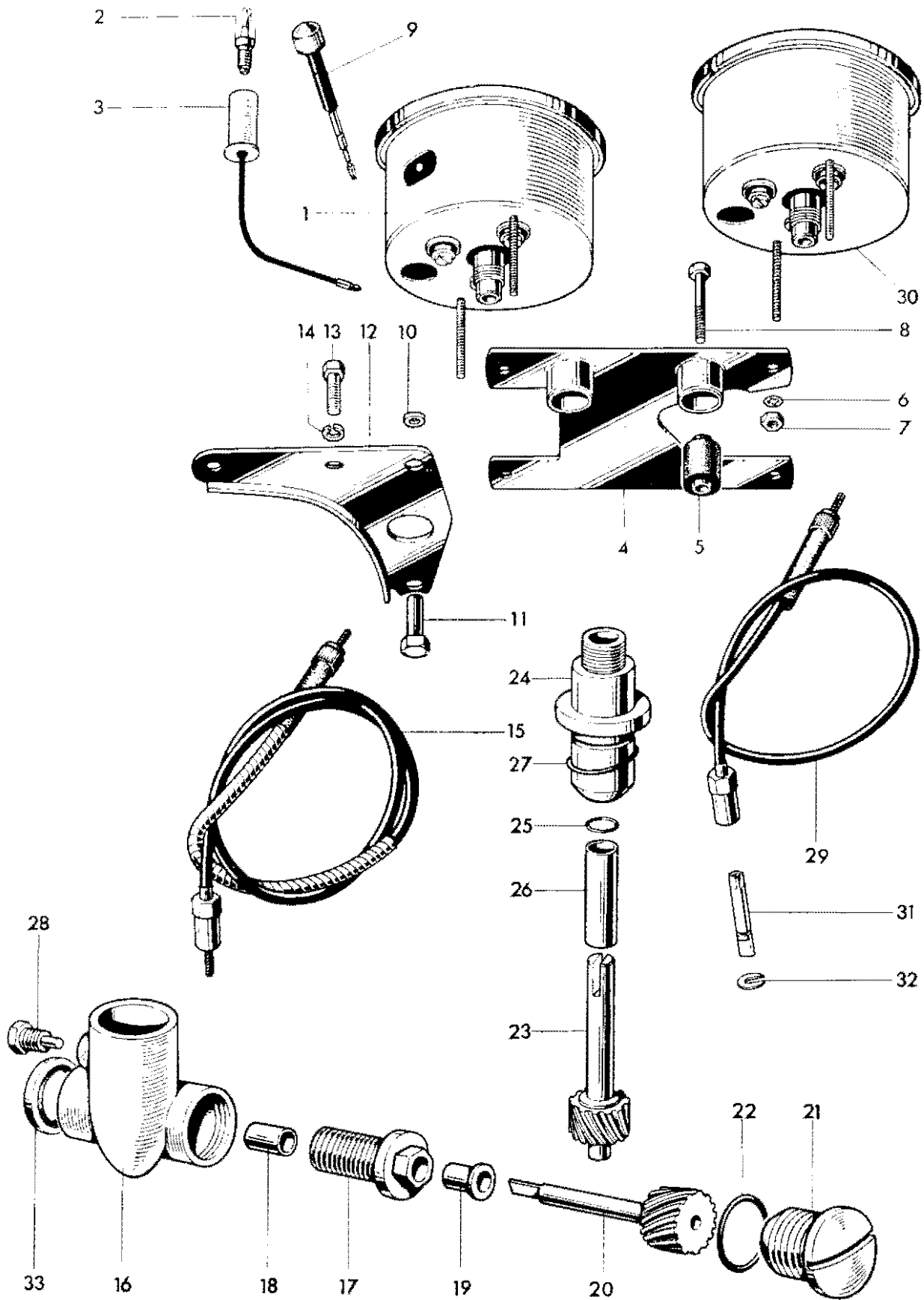


Fig. 33. SPEEDOMETER AND TACHOMETER

**SPEEDOMETER AND TACHOMETER**

1	99-0161	Speedometer head MPH (SSM5001/06)	1	
—	31-315-135	Brass fitting at cable connection	1	Not illustrated
2	643	Bulb 3W-MES	1	
3	99-0695	Bulb holder (554710)	1	
4	H1946	MOUNTING BRACKET	1	} TR6R, T120R
5	H1929	Metalastik bush	2	
6	30-282-014-11	Washer	2	
7	30-276-037-11	Nut	2	
8	S590	Bolt (1 $\frac{3}{8}$ in. U.H.)	2	
9	41-148-203-10	Trip control	1	
10	H1702	Distance piece	2	} TR6C
11	H1701	Sleeve nut	2	
12	H2138	Bracket	1	
13	14-0101/001	Bolt ( $\frac{1}{2}$ in. U.H.)	2	
14	S26-2	Spring washer	2	
15	D609	Speedometer cable (65 ins. long) (D609W inner only)	1	Smiths DF9110/00
16	E9331	TACHOMETER GEARBOX (E5758 Body)	1	} TR6R, T120R,
17	E9332	Securing screw	1	
18	Reference only	Bush	1	
19	E5155	Flanged bush	1	
20	E5157	Driving gear	1	
21	E5759	End cap	1	
22	E6300	"O" ring	1	
23	E5578	Driven gear	1	
24	E6122	Driven gear housing	1	
25	E6299	"O" ring	1	
26	Reference only	Bush	1	
27	E3309	"O" ring	1	
28	E5881	Set screw	1	
29	D578	Tachometer cable (28 in. long) (D578W inner only)	1	
30	99-0166	Tachometer (RSM3003/01)	1	
31	31-371-398	Spade	1	
32	D494	Circlip	1	
33	E6961	Sealing washer	1	
—	D546	Blanking plug (replaces tacho bulb holder)	1	Not illustrated

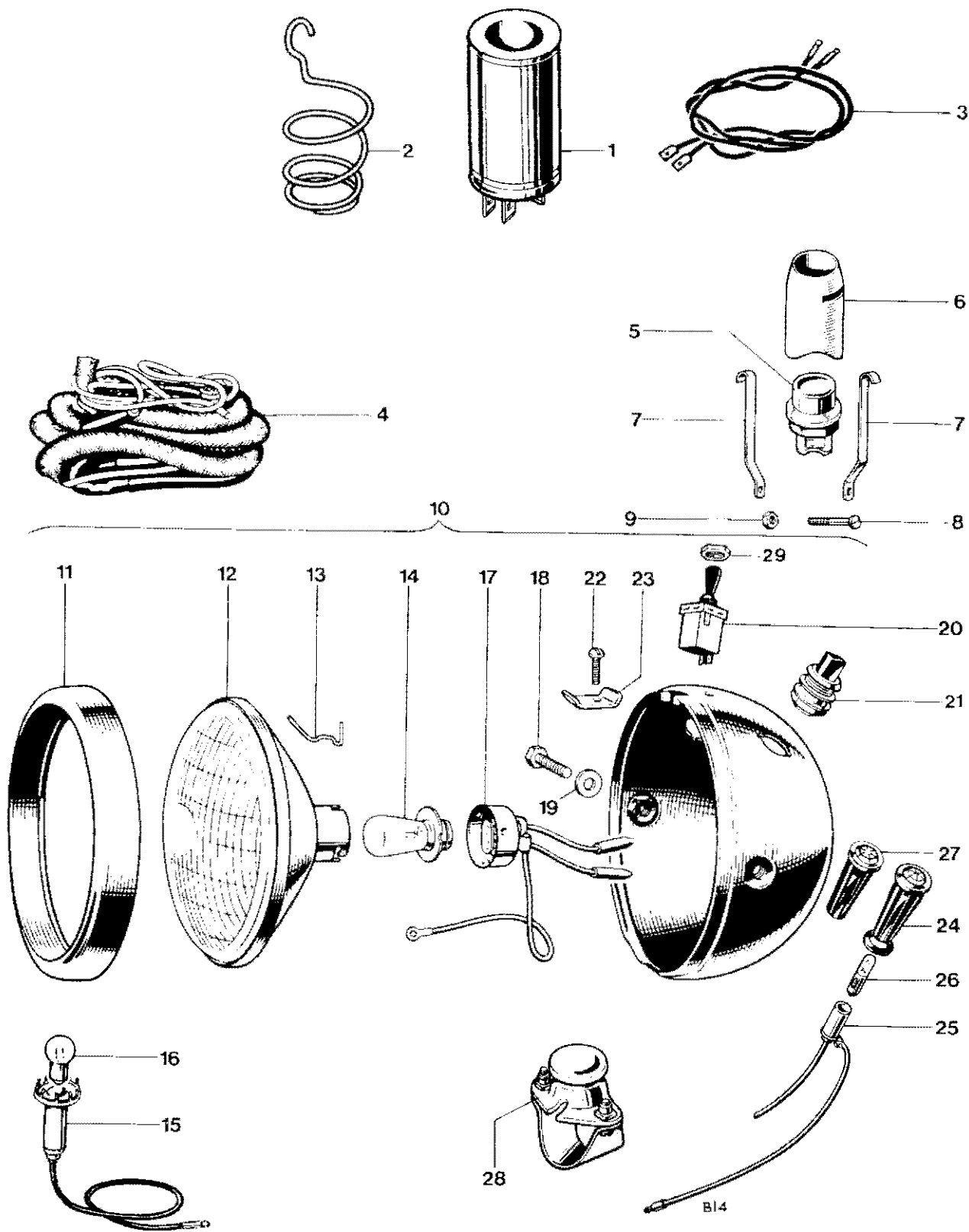


Fig. 34. IGNITION CAPACITOR AND HEADLAMP TR6C

**IGNITION CAPACITOR AND HEADLAMP, TR6C**

1	99-0737	Ignition capacitor (type 2MC) (54170009)	...	Available
2	99-0778	Capacitor mounting spring (54483156)	...	Available
—	F9274	Cap, wiring harness terminal	...	Available
4	99-1039	Wiring harness (54955719)	...	} TR6C
5	99-0564	Kill button, type 151SA (35835)	...	
6	H2259	Cup	...	
7	H2034	Clip	...	
8	H687	Bolt ( $\frac{3}{8}$ in. U.H.)	...	
9	H745	Nut	...	1
10	99-1040	HEADLAMP ASSEMBLY, MCH 66 (60087)	...	1
—	—	Shell	...	1
11	99-0691	Rim (534343)	...	1
12	99-1041	Light unit (54524526)	...	1
13	99-0683	Fixing wire (504665)	...	6
14	99-1042464	Bulb (40/27 W. Vertical Dip, Pre-focus) (464)	...	1
15	99-0695	Bulbholder, pilot (554710)	...	1
16	99-0548	Bulb (3W. M.C.C.) (989)	...	1
17	54520540	Adaptor c/w leads	...	2
18	112201	Bolt	...	2
19	137498	Washer	...	2
20	99-0563	Lighting switch (35710)	...	1
21	99-0556	Dip switch (31620)	...	1
22	144921	Screw	...	1
23	99-0690	Plate (534296)	...	1
24	99-0568	Warning light, red (38189)	...	1
25	99-0803	Warning bulbholder (54945043)	...	1
26	99-0537	Bulb (2W. BA75) (281)	...	2
27	99-0569	Warning light, green (38191)	...	1
28	D553	Horn push, Clear Hooters No. 10	...	1
29	153631	Nut for lighting switch	...	1
—	GS299	Serrated washer (for H745)	...	1

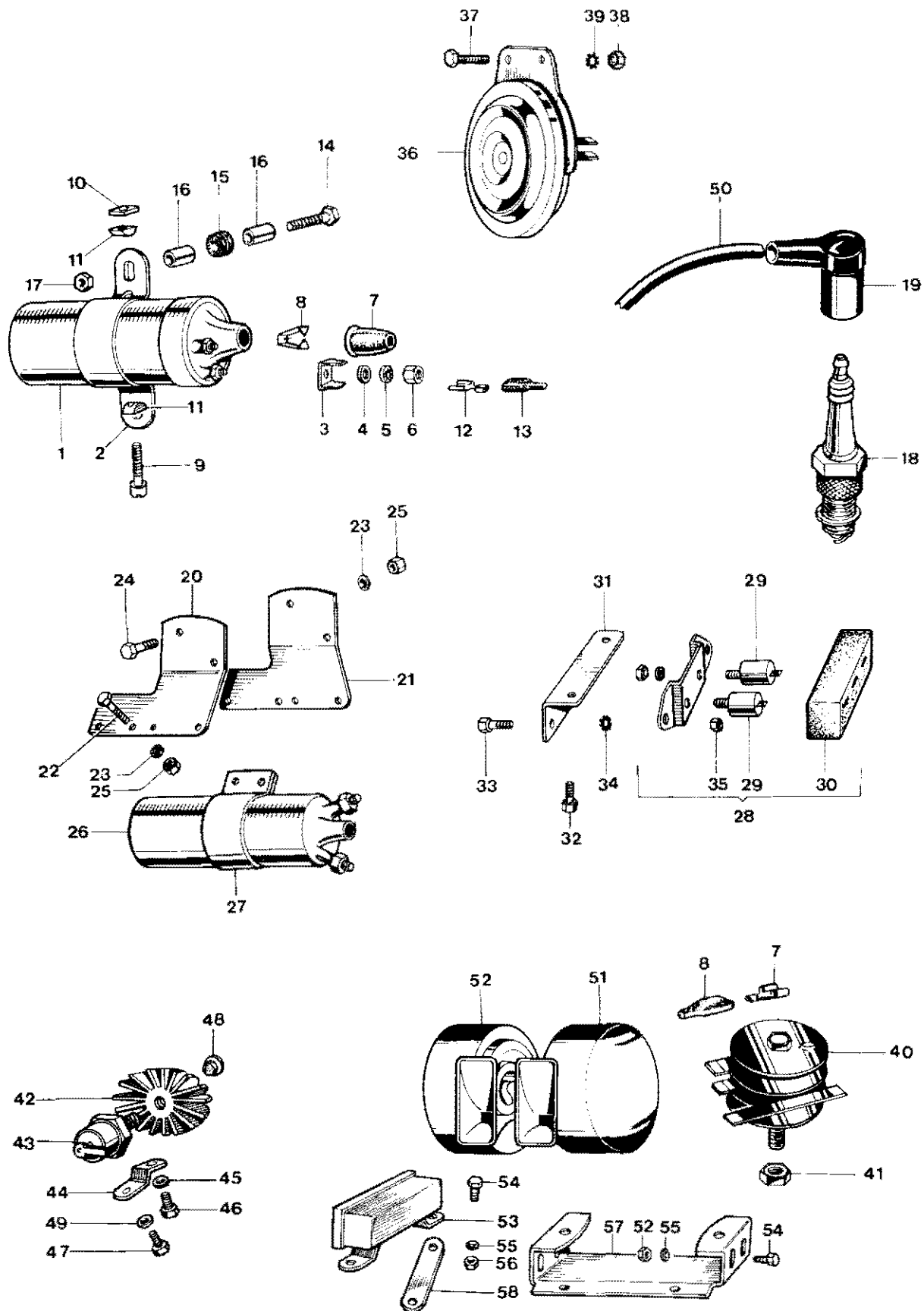


Fig. 35. IGNITION COILS, HORN, RECTIFIER AND ZENER DIODE

**IGNITION COILS, HORN, RECTIFIER AND ZENER DIODE**

1	99-0574	IGNITION COIL, Type MA12 (45110)	2	} TR6R
2	423947	Bracket	2	
3	54190108	Lucar terminal	4	
4	131023	Plain washer (E2351)	4	
5	188330	Serrated washer (GS299)	4	
6	166043	Nut (F3799)	4	
7	421554	Rubber grommet	2	
8	421863	Cable clip	2	
9	54100776	Screw	2	
10	169160	Square nut	2	
11	99-0645	"D" washer (422369)	4	
12	54942078	Lucar connector	as required	
13	54190042	Insulating cover	as required	
14	14-0202	Bolt (1 <sup>5</sup> / <sub>16</sub> in. U.H.)	2	} T120R, TR6C
15	F5466	Rubber grommet	2	
16	F4366	Distance piece	4	
17	14-0701	Self locking nut	2	
18	—	Sparking plug (Champion N3)	2	
19	D262	Plug cover	2	
20	F6943	Left coil bracket	1	
21	F6944	Right coil bracket	1	
22	14-0103	Bolt (5/8 in. U.H.)	4	
23	E1612	Serrated washer	6	
24	14-0102	Bolt	2	
25	14-0301	Nut	6	
26	E6388	Ignition coil, Siba 32,000	2	} as required
27	E6389	Clip, Siba 32,000/1	2	
28	99-0588	CONDENSER PACK 2CP	1	} TR6R, TR6C
29	99-1043	Condenser (47638)	2	
30	99-0767	Cover (54420128)	1	
31	F8082	Condenser pack bracket (54418528)	1	
32	E8287	Bolt, bracket to frame	2	
33	F10033	Bolt, pack to bracket	2	
34	GS299	Shakeproof washer	2	
35	F3799	Nut	2	
36	99-0612	Horn, type 6H (70197)	1	
37	F4771	Screw (5/8 in. U.H.)	2	
38	F3799	Nut	3	
39	GS299	Serrated washer	3	
40	99-0589	Rectifier, type 2DS 506 (49072)	1	} T120R
41	F5338	Nut	1	
42	H2237	Heat sink	1	
43	99-0590	Zener diode (49345)	1	
44	H2236	Bracket	1	
45	S26-2	Washer	1	
46	14-6102/001	Bolt (bracket to heat sink)	1	
47	14-0113/001	Bolt (bracket to fork)	1	
48	H2275	Plug heat sink	1	
49	S26-3	Washer	1	
50	842183	High tension lead	2	
51	D1900	Horn R.H.	1	
52	D1901	Horn L.H.	1	
53	99-1027	Horn relay (33188)	1	
54	14-0103	Bolt	6	
55	S26-2	Washer	6	
56	14-0301	Nut	6	
57	F11254	Bracket	1	
58	F7582	Relay stay	1	

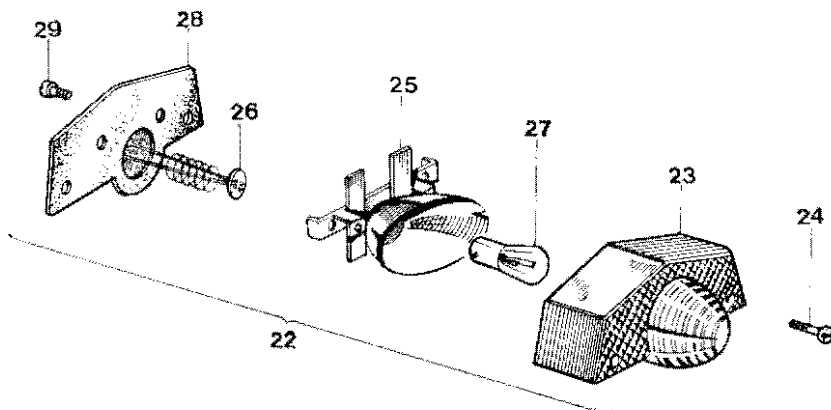
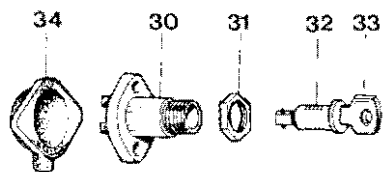
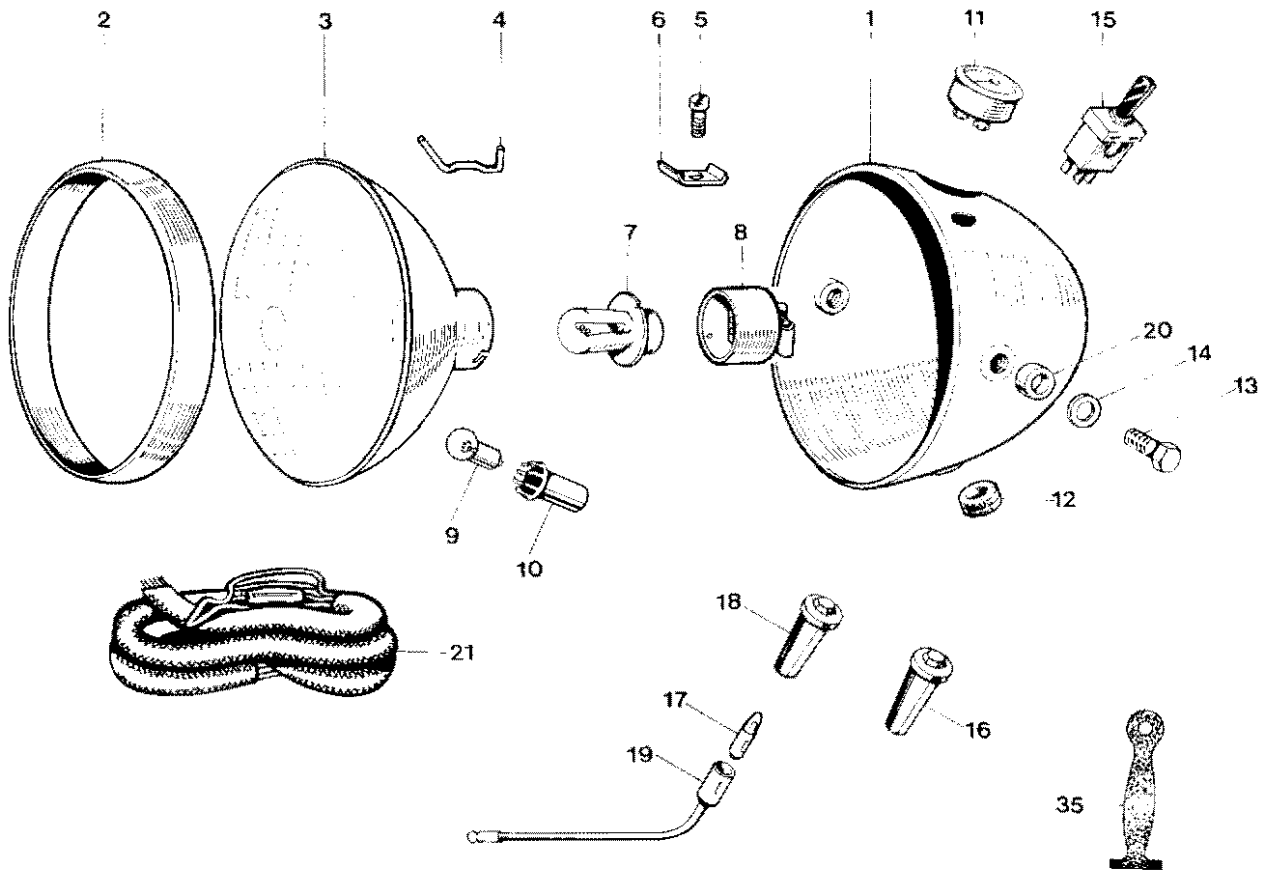


Fig. 36. HEADLAMP, WIRING HARNESS, SWITCHES AND TAIL LAMP



**HEADLAMP, WIRING HARNESS, SWITCHES AND TAIL LAMP  
TR6R, T120R**

1	99-0608	HEADLAMP COMPLETE TYPE SS700P (59883) ...	1	
1	54523508	Shell only ...	1	
2	99-0692	Rim (553248) ...	1	
3	99-0686	Light unit (516798) ...	1	
4	99-0683	Fixing wire (504665) ...	6	
5	144921	Screw ...	1	
6	99-0690	Plate (534296) ...	1	
7	99-0545	Bulb (50/40W vert dip pre focus) (446) ...	1	
8	99-1003	Main bulbholder (54520540) ...	1	
9	99-0548	Bulb (6W MCC) (989) ...	1	
10	99-0695	Pilot bulbholder (554710) ...	1	
11	99-1044	Ammeter, type 2AR (36403) ...	1	
12	862217	Grommet ...	1	
13	112201	Bolt ...	2	
14	137498	Plain washer ...	2	
15	99-0563	Lighting switch (35710) ...	1	
16	99-0568	Warning light body (red) (38189) ...	1	
17	99-0537)	Bulb (2W BA7S) (281) ...	1	
18	99-0569	Warning light body (green) (38191) ...	1	
19	99-0803	Warning bulbholder (54945043) ...	2	
20	H1932	Distance piece ...	1	
21	99-1045	Wiring harness (54955257) ...	1	
22	99-0597	Stop and tail lamp, type L679 (53973) ...	1	
23	99-1046	Lens (54577109) ...	1	
24	144921	Screw ...	2	
25	99-0783	Bulb holder with reflector (54574348) ...	1	
26	99-0701	Contact assembly (573828) ...	1	
27	99-0542	Bulb (6/12W offset pin) (380) ...	1	
28	99-0780	Gasket (54571677) ...	1	
29	127684	Screw ...	1	
30	99-0558	Ignition switch, type S45 (31899) ...	1	
31	54130041	Nut ...	1	
32	F6981	Ignition lock c/w keys ...	1	
33	D622	Ignition key (state serial No.) ...	As required	
34	H2262	Ignition switch cover ...	1	
35	D343/3	Ignition rubber cable clip (rear lamp) ...	1	